

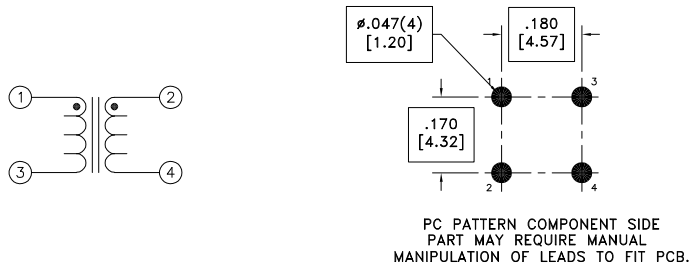
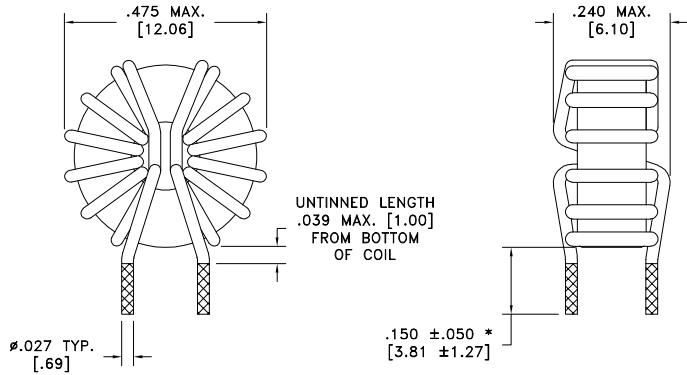
CUSTOMER TERMINAL	RoHS	LEAD(Pb)-FREE
Sn96%, Ag4%	Yes	Yes



ELECTRICAL SPECIFICATIONS @ 25°C unless otherwise noted:

PARAMETER	TEST CONDITIONS	VALUE
D.C. RESISTANCE	1-3 @20°C	0.007 ohms max.
D.C. RESISTANCE	2-4 @20°C	0.007 ohms max.
INDUCTANCE	1-3 100kHz, 10mVAC, Ls	110uH min.
INDUCTANCE	2-4 100kHz, 10mVAC, Ls	110uH min.
DIELECTRIC	1-2 600VAC, 2 seconds	500VAC, 1 minute
TURNS RATIO	(1-3):(2-4)	1:1, ±1%

* DIMENSION MAY BE EXCEEDED WITH SOLDER ONLY



GENERAL SPECIFICATIONS:

OPERATING TEMPERATURE RANGE: -40°C to +125°C including temp rise.

CURRENT RATING: 5A

Wire insulation & RoHS status not affected by wire color.
Wire insulation color may vary depending on availability.

REV.	DATE	Packaging Specifications Method: Tray PKG-1045 www.we-online.com/midcom		Tolerances unless otherwise specified: Angles: ±1° Fractions: ±1/64 Decimals: ±.005 [.13] Footprint: ±.001 [.03]	DRAWING TITLE INDUCTOR	PART NO. 750343094
6B	3/20			This drawing is dual dimensioned. Dimensions in brackets are in millimeters.	eiSos p/n: 750343094	SPECIFICATION SHEET 1 OF 1
6A	12/15	SEE REVISION SHEET FOR REVISION LEVEL				