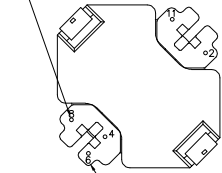


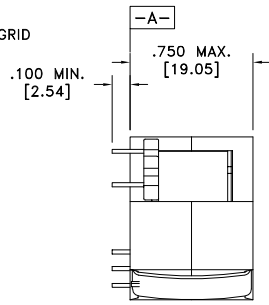
CUSTOMER TERMINAL	RoHS	LEAD(Pb)-FREE
Sn96%, Ag4%	Yes	Yes



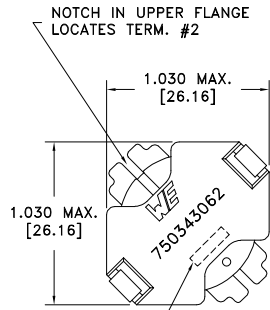
PART MUST INSERT FULLY TO SURFACE A IN RECOMMENDED GRID  
 $\phi$ .024(5)  
 [.60]



TERM. NO.'s FOR REF. ONLY



LOT CODE & DATE CODE

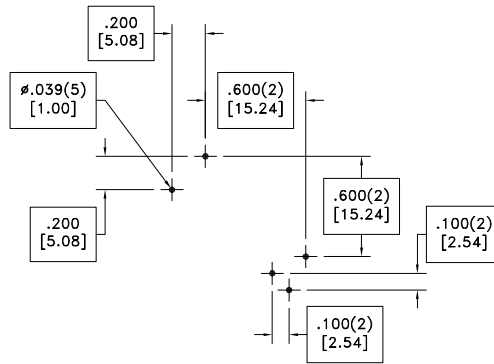
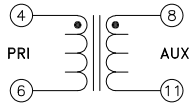


ELECTRICAL SPECIFICATIONS @ 25°C unless otherwise noted:

PARAMETER	TEST CONDITIONS	VALUE
D.C. RESISTANCE	4-6 @20°C	0.195 ohms max.
D.C. RESISTANCE	8-11 @20°C	0.174 ohms max.
INDUCTANCE	4-6 20kHz, 100mVAC, Ls	330.0uH $\pm$ 5%
SATURATION CURRENT	4-6 20% rolloff from initial	5A
DIELECTRIC	4-8 1500VDC, 1 second	-
TURNS RATIO	(4-6):(8-11)	9.38:1, $\pm$ 2%

GENERAL SPECIFICATIONS:

OPERATING TEMPERATURE RANGE: -40°C to +125°C including temp rise.



RECOMMENDED P.C. PATTERN, COMPONENT SIDE

Wire insulation & RoHS status not affected by wire color.  
 Wire insulation color may vary depending on availability.

REV.	DATE	Packaging Specifications Method: Tray PKG-1175 www.we-online.com/midcom		Tolerances unless otherwise specified: Angles: $\pm$ 1° Fractions: $\pm$ 1/64 Decimals: $\pm$ .005 [.13] Footprint: $\pm$ .001 [.03]	DRAWING TITLE <b>INDUCTOR</b>	PART NO. <b>750343062</b>
6B	5/23			This drawing is dual dimensioned. Dimensions in brackets are in millimeters.	eiSos p/n: 750343062	
6A	1/16	SEE REVISION SHEET FOR	REVISION LEVEL			SPECIFICATION SHEET 1 OF 1

