

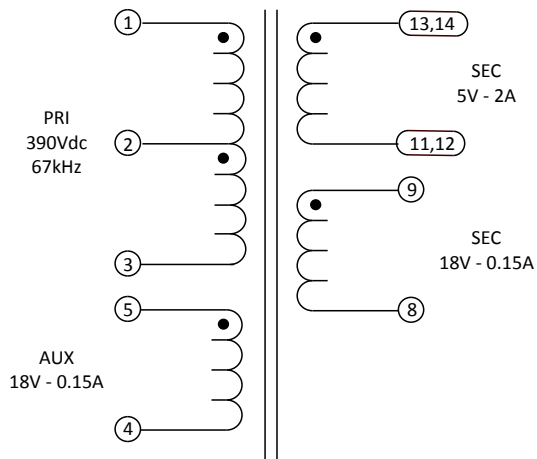
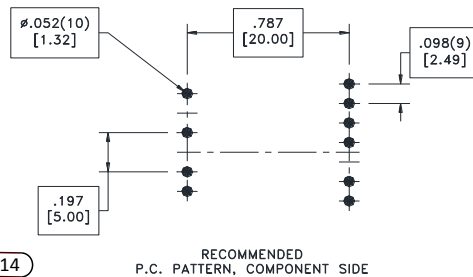
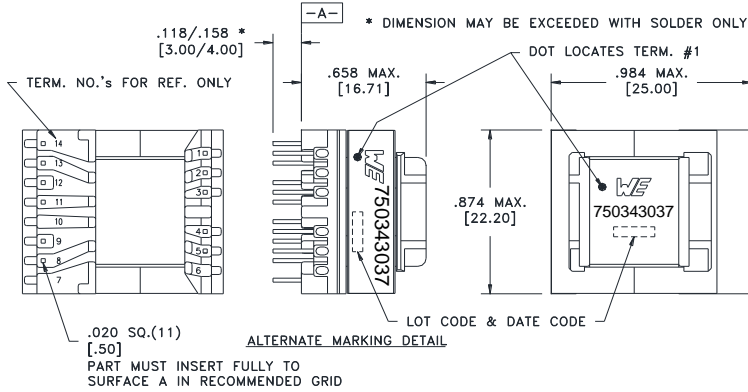
CUSTOMER TERMINAL	RoHS	LEAD(Pb)--FREE
Sn 96%, Ag 4%	Yes	Yes

more than you expect



ELECTRICAL SPECIFICATIONS @ 25° C unless otherwise noted:

PARAMETER	TEST CONDITIONS	VALUE
D.C. RESISTANCE	1-3 @20°C	2.720 ohms max.
D.C. RESISTANCE	4-5 @20°C	0.371 ohms max.
D.C. RESISTANCE	8-9 @20°C	0.847 ohms max.
D.C. RESISTANCE	12-13 tie(11+12, 13+14), @20°C	0.022 ohms max.
INDUCTANCE	1-3 10kHz, 1V, Ls	1700.0µH ±10%
LEAKAGE INDUCTANCE	1-3 tie(4+5+8+9+11+12+13+14), 100kHz, 100mV, Ls	20µH max.
DIELECTRIC	14-core tie(9+13+14), 3750VAC, 1 second	3000VAC, 1 minute
DIELECTRIC	1-14 tie(3+4, 9+13+14), 3750VAC, 1 second	3000VAC, 1 minute
TURNS RATIO	(1-3):(5-4)	4.11:1, ±2%
TURNS RATIO	(1-3):(9-8)	4.11:1, ±2%
TURNS RATIO	(1-3):(13-12)	14.38:1, ±2%



Application of solder bridge between terminal #11&12 and 13&14 is allowed.

Wire insulation & RoHS status not affected by wire color. Wire insulation color may vary depending on availability.

GENERAL SPECIFICATIONS:

OPERATING TEMPERATURE RANGE: -40°C to +125°C including temp rise.
 Designed to comply with the following requirements as defined by IEC60950-1,
 EN60950-1, UL60950-1/CSA60950-1 and AS/NZS60950.1:
 - Reinforced insulation for a primary circuit at a working voltage of 400Vpeak, Overvoltage Category II.

DFM	Packaging Specifications	 CONVENTION PLACEMENT	Tolerances unless otherwise specified: Angles: ±1° Decimals: ±.005 [.13] Fractions: ±1/64 Footprint: ± .001 [.03]	DRAWING TITLE	PART NO.
DATE	Method: Tray		This drawing is dual dimensioned. Dimensions in brackets are in millimeters.	TRANSFORMER	750343037
ENG	NWA				
REV.	00				
DATE	2015-09-21	www.we-online.com/midcom			SPECIFICATION SHEET 1 OF 1