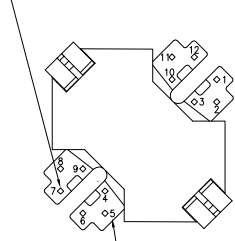


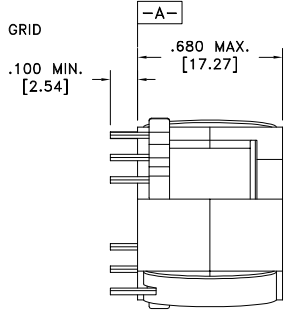
|                   |      |               |
|-------------------|------|---------------|
| CUSTOMER TERMINAL | RoHS | LEAD(Pb)-FREE |
| Sn96%, Ag4%       | Yes  | Yes           |



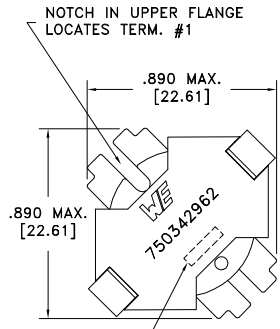
PART MUST INSERT FULLY TO SURFACE A IN RECOMMENDED GRID .020 SQ.(12) [.51]



TERM. NO.'s FOR REF. ONLY



LOT CODE & DATE CODE

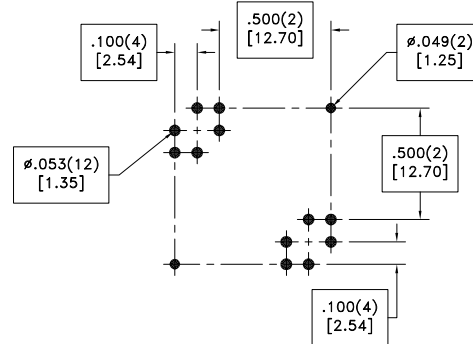
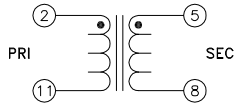


ELECTRICAL SPECIFICATIONS @ 25°C unless otherwise noted:

| PARAMETER          | TEST CONDITIONS                    | VALUE                  |
|--------------------|------------------------------------|------------------------|
| D.C. RESISTANCE    | 2-11 @20°C                         | 0.043 ohms max.        |
| D.C. RESISTANCE    | 5-8 @20°C                          | 0.400 ohms max.        |
| INDUCTANCE         | 2-11 50kHz, 100mVAC, Ls            | 34.0uH ±10%            |
| SATURATION CURRENT | 2-11 20% rolloff from initial      | 13A                    |
| LEAKAGE INDUCTANCE | 2-11 tie(5+8), 100kHz, 100mVAC, Ls | 3.7uH typ., 7.5uH max. |
| DIELECTRIC         | 2-5 1800VAC, 1 second              | -                      |
| URNS RATIO         | (2-11):(5-8)                       | 1.26:1, ±2%            |

GENERAL SPECIFICATIONS:

OPERATING TEMPERATURE RANGE: -40°C to +125°C including temp rise.



RECOMMENDED P.C. PATTERN, COMPONENT SIDE

Wire insulation & RoHS status not affected by wire color.  
Wire insulation color may vary depending on availability.

|      |      |  |  |  |                                  |                              |
|------|------|--|--|--|----------------------------------|------------------------------|
| REV. | DATE | Packaging Specifications<br>Method: Tray<br>PKG-0002<br>www.we-online.com/midcom |  | Tolerances unless otherwise specified:<br>Angles: ±1°<br>Fractions: ±1/64<br>Decimals: ±.005 [.13]<br>Footprint: ±.001 [.03] | DRAWING TITLE<br><b>INDUCTOR</b> | PART NO.<br><b>750342962</b> |
| 6A   | 3/19 | SEE REVISION SHEET FOR REVISION LEVEL  |  | This drawing is dual dimensioned. Dimensions in brackets are in millimeters.   | eiSos p/n: 750342962             | SPECIFICATION SHEET 1 OF 1   |