

CUSTOMER TERMINAL	RoHS	LEAD(Pb)-FREE
Sn96%, Ag4%	Yes	Yes

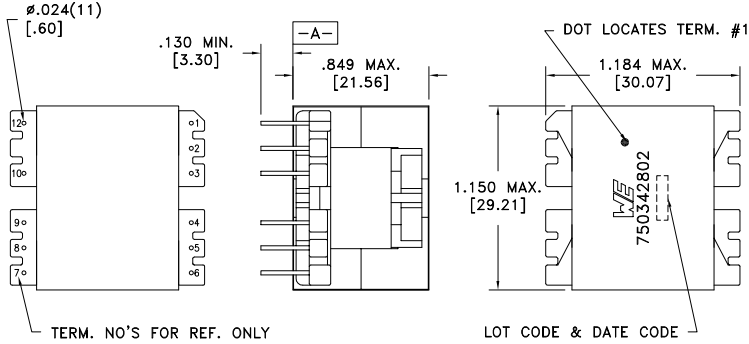
more than you expect



ELECTRICAL SPECIFICATIONS @ 25°C unless otherwise noted:

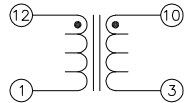
PARAMETER	TEST CONDITIONS	VALUE
D.C. RESISTANCE	10-3 @20°C	0.150 ohms max.
D.C. RESISTANCE	12-1 @20°C	0.120 ohms max.
INDUCTANCE	12-1 40kHz, 1VAC, Ls	300.0uH ±10%
SATURATION CURRENT	12-1 20% rolloff from initial	4.5A
DIELECTRIC	10-12 1250VAC, 1 second	1000VAC, 1 minute
DIELECTRIC	10-Core 1250VAC, 1 second	1000VAC, 1 minute
DIELECTRIC	12-Core 1250VAC, 1 second	1000VAC, 1 minute
URNS RATIO	(12-1):(10-3)	10.7:1, ±2%

PART MUST INSERT FULLY TO SURFACE A IN RECOMMENDED GRID

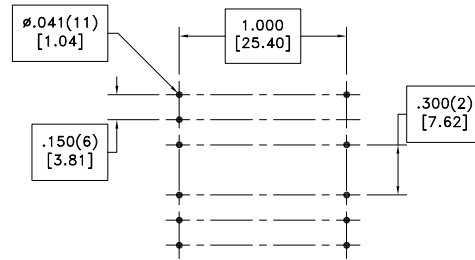


TERM. NO'S FOR REF. ONLY

LOT CODE & DATE CODE



Terminals #1 & 12 are tubed.



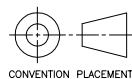
RECOMMENDED P.C. PATTERN, COMPONENT SIDE

GENERAL SPECIFICATIONS:

OPERATING TEMPERATURE RANGE: -40°C to +125°C including temp rise.

Wire insulation & RoHS status not affected by wire color.
 Wire insulation color may vary depending on availability.

REV.	DATE	Packaging Specifications
		Method: Tray
		PKG-0239
		www.we-online.com/midcom
6A	12/16	SEE REVISION SHEET FOR REVISION LEVEL



Tolerances unless otherwise specified:
 Angles: ±1°
 Decimals: ±.005 [.13]
 Fractions: ±1/64 Footprint: ±.001 [.03]

This drawing is dual dimensioned. Dimensions in brackets are in millimeters.

DRAWING TITLE	PART NO.
TRANSFORMER	750342802
eiSos p/n: 750342802	SPECIFICATION SHEET 1 OF 1

