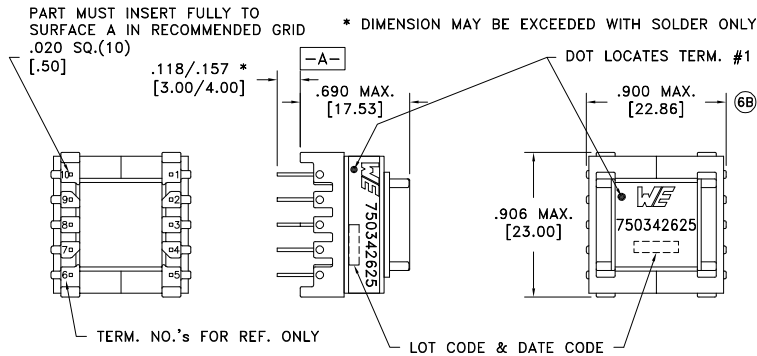


CUSTOMER TERMINAL	RoHS	LEAD(Pb)-FREE
Sn96%, Ag4%	Yes	Yes

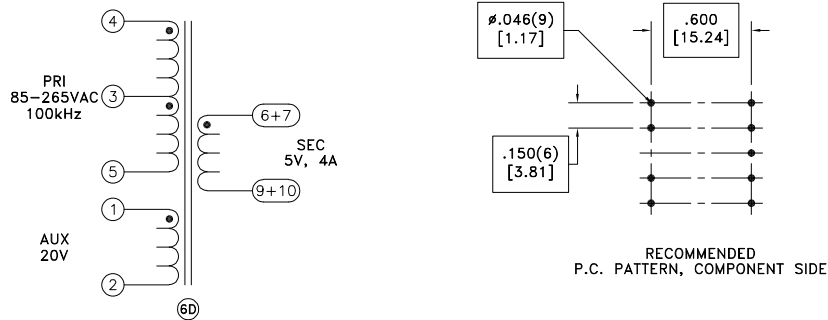


ELECTRICAL SPECIFICATIONS @ 25°C unless otherwise noted:

PARAMETER	TEST CONDITIONS	VALUE
6C D.C. RESISTANCE	1-2 @20°C	0.290 ohms max.
D.C. RESISTANCE	4-5 @20°C	0.760 ohms max.
D.C. RESISTANCE	7-9 tie(6+7, 9+10), @20°C	0.012 ohms max.
INDUCTANCE	4-5 50kHz, 100mVAC, Ls	410uH ±5%
LEAKAGE INDUCTANCE	4-5 tie(1+2, 6+7+9+10), 100kHz, 100mVAC, Ls	10.0uH max.
DIELECTRIC	4-6 tie(2+3, 6+7), 3750VAC, 1 second	-
DIELECTRIC	6-Core tie(6+7), 3750VAC, 1 second	-
DIELECTRIC	4-Core tie(2+3), 1875VAC, 1 second	-
URNS RATIO	(4-5):(1-2)	4.91:1, ±2%
URNS RATIO	(4-5):(7-9), tie(6+7, 9+10)	13.5:1, ±2%



ALTERNATE MARKING DETAIL



6D Customer to tie terminals 6+7 and 9+10 on PC board.

Application of the transformer allows for the leadwires between terminals 6&7 and 9&10 to solder bridge.

GENERAL SPECIFICATIONS:

OPERATING TEMPERATURE RANGE: -40°C to +125°C including temp rise.

Designed to comply with the following requirements as defined by IEC61558:
- Reinforced insulation for a primary circuit at a working voltage of 400VDC.

Wire insulation & RoHS status not affected by wire color.
Wire insulation color may vary depending on availability.

REV.	DATE	Packaging Specifications		Tolerances unless otherwise specified: Angles: ±1° Fractions: ±1/64	DRAWING TITLE TRANSFORMER eiSos p/n: 750342625	PART NO. 750342625 SPECIFICATION SHEET 1 OF 1
6D	5/23	Method: Tray		Decimals: ±.005 [.13]		
6C	3/20	PKG-0736		Footprint: ±.001 [.03]		
6B	7/16	www.we-online.com/midcom		This drawing is dual dimensioned. Dimensions in brackets are in millimeters.		
6A	6/15	SEE REVISION SHEET FOR REVISION LEVEL				

