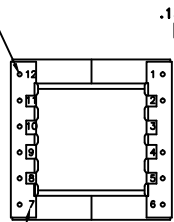


CUSTOMER TERMINAL	RoHS	LEAD(Pb)-FREE
Sn96%, Ag4%	Yes	Yes

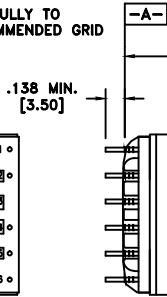
more than you expect



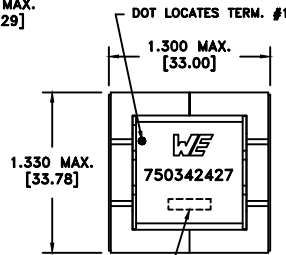
PART MUST INSERT FULLY TO SURFACE A IN RECOMMENDED GRID  
 $\phi$ .031(11)  
 [.80]



TERM. NO.'s FOR REF. ONLY



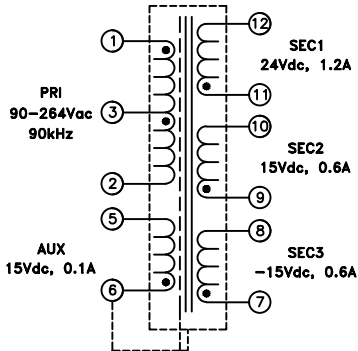
.720 MAX.  
 [18.29]



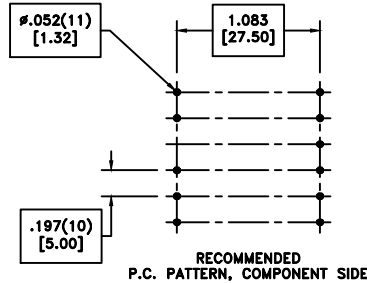
LOT CODE & DATE CODE

**ELECTRICAL SPECIFICATIONS @ 25°C unless otherwise noted:**

PARAMETER	TEST CONDITIONS	VALUE
D.C. RESISTANCE	1-2 @20°C	0.300 ohms max.
D.C. RESISTANCE	5-6 @20°C	0.178 ohms max.
D.C. RESISTANCE	7-8 @20°C	0.053 ohms max.
D.C. RESISTANCE	9-10 @20°C	0.053 ohms max.
D.C. RESISTANCE	11-12 @20°C	0.053 ohms max.
INDUCTANCE	1-2 50kHz, 100mVAC, Ls	300uH ±10%
LEAKAGE INDUCTANCE	1-2 tie(5+6+7+8+9+10+11) 100kHz, 100mVAC, Ls	10uH max.
DIELECTRIC	1-12 tie(2+5, 7+9+10), 3750VAC, 1 second	3000VAC, 1 minute
URNS RATIO	(1-2):(6-8)	8.00:1, ±2%
URNS RATIO	(1-2):(7-9)	6.86:1, ±2%
URNS RATIO	(1-2):(9-10)	6.86:1, ±2%
URNS RATIO	(1-2):(11-12)	4.36:1, ±2%



Add tubing to terminal#1,2,3,5&6.



**GENERAL SPECIFICATIONS:**

OPERATING TEMPERATURE RANGE: -40°C to +125°C including temp rise.

REFERENCE DESIGN

Wire insulation & RoHS status not affected by wire color.  
 Wire insulation color may vary depending on availability.

REV.	DATE	Packaging Specifications
		Method: Tray
		PKG-0841
01	6/14	www.we-online.com/midcom
00	5/14	SEE REVISION SHEET FOR REVISION LEVEL



Tolerances unless otherwise specified:  
 Angles: ±1° Decimals: ±.005 [.13]  
 Fractions: ±1/64 Footprint: ±.001 [.03]

This drawing is dual dimensioned. Dimensions in brackets are in millimeters.

DRAWING TITLE  
 TRANSFORMER

eiSos p/n: 750342427

PART NO.  
 750342427



SPECIFICATION SHEET 1 OF 1