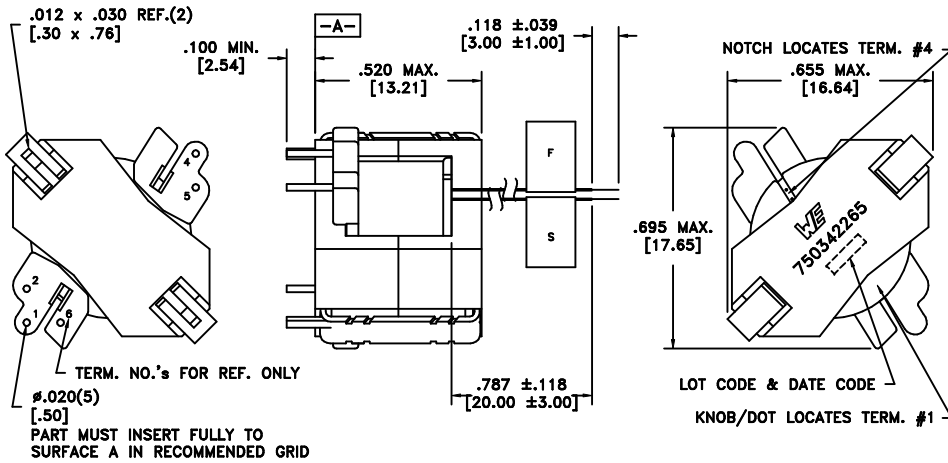
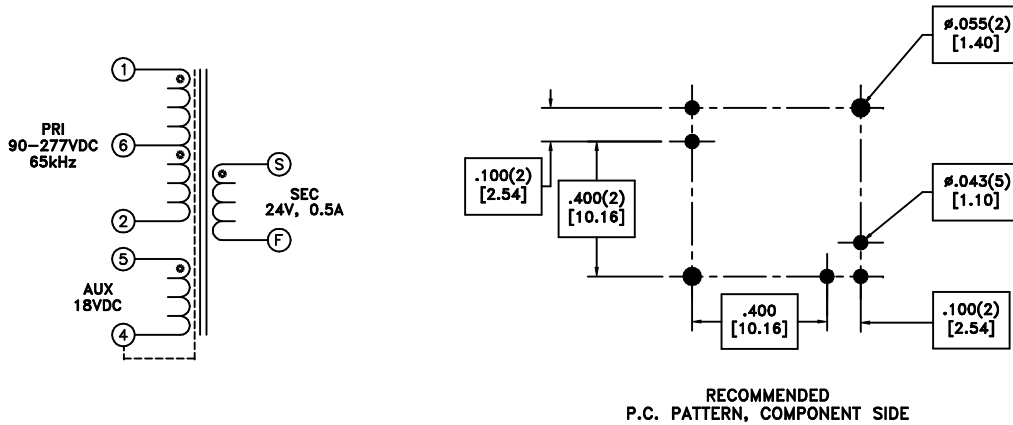


CUSTOMER TERMINAL	RoHS	LEAD(Pb)-FREE
Sn96%, Ag4%	Yes	Yes



ELECTRICAL SPECIFICATIONS @ 25°C unless otherwise noted:

PARAMETER	TEST CONDITIONS	VALUE
D.C. RESISTANCE	1-2 @20°C	1.43 ohms max
D.C. RESISTANCE	5-4 @20°C	0.41 ohms max
D.C. RESISTANCE	S-F @20°C	0.23 ohms max
INDUCTANCE	1-2 10kHz, 1.0VAC, Ls	760uH ±10%
LEAKAGE INDUCTANCE	1-2 tie(4+5+S+F), 100kHz, 100mVAC, Ls	18.0 uH max
DIELECTRIC	1-S tie(1+4), 3750VAC, 1 second	-
DIELECTRIC	S-CORE 3750VAC, 1 second	-
TURNS RATIO	(1-2):(5-4)	4.333:1, ±2%
TURNS RATIO	(1-2):(S-F)	3.25:1, ±2%



GENERAL SPECIFICATIONS:

OPERATING TEMPERATURE RANGE: -40°C to +120°C including temp rise.

Designed to comply with the following requirements as defined by IEC60950-1.

- Reinforced insulation for a primary circuit at a working voltage of 400VDC.

REFERENCE DESIGN

Wire insulation & RoHS status not affected by wire color.
Wire insulation color may vary depending on availability.

REV.	DATE	Packaging Specifications Method: Tray PKG-0103 www.we-online.com/midcom		Tolerances unless otherwise specified: Angles: ±1° Fractions: ±1/64 Decimals: ±.005 [.13] Footprint: ±.001 [.03]	DRAWING TITLE TRANSFORMER	PART NO. 750342265
00	1/14	SEE REVISION SHEET FOR REVISION LEVEL		This drawing is dual dimensioned. Dimensions in brackets are in millimeters.	eiSos p/n: 750342265	SPECIFICATION SHEET 1 OF 1