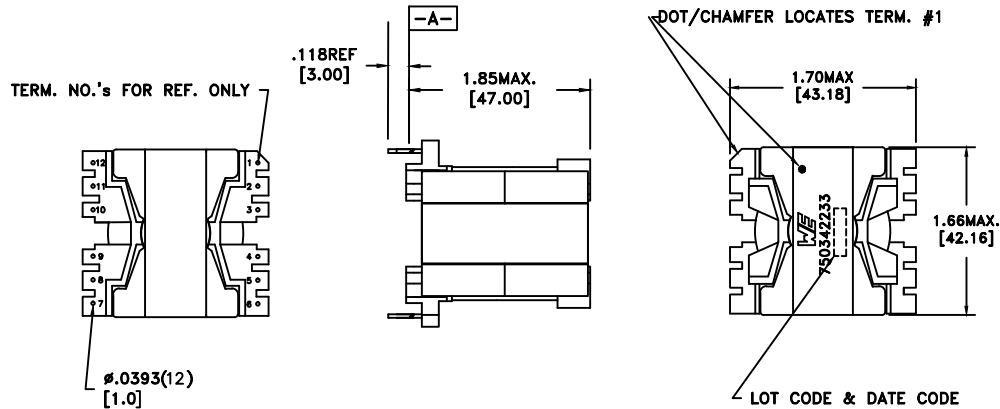


CUSTOMER TERMINAL	RoHS	LEAD(Pb)-FREE
Sn96%, Ag4%	Yes	Yes

more than you expect

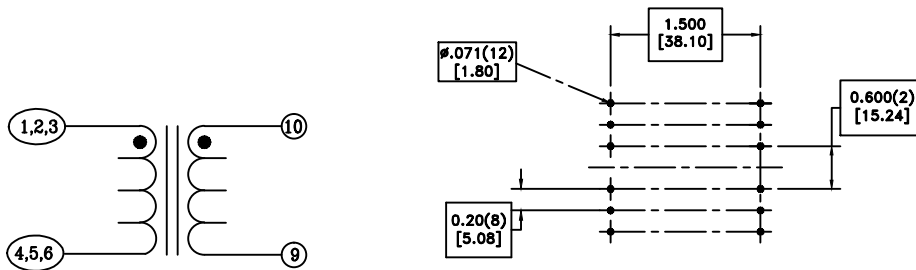


ELECTRICAL SPECIFICATIONS @ 25°C unless otherwise noted:

PARAMETER	TEST CONDITIONS	VALUE
D.C. RESISTANCE	9-10 @20°C	0.052 ohms max.
D.C. RESISTANCE	1-4 @20°C, tie(1+2+3,4+5+6)	0.050 ohms max.
INDUCTANCE	1-4 50kHz, 100mVAC, Ls tie(1+2+3,4+5+6)	200uH±10%
SATURATION CURRENT	1-4 20% rolloff from initial	14.25 A
DIELECTRIC	1-10 1875 VAC, 1 second tie(1+2+3)	1500VAC 1 minute
TURNS RATIO	(1-4):(10-9), tie(1+2+3,4+5+6)	10:1, ±2%

GENERAL SPECIFICATIONS:

OPERATING TEMPERATURE RANGE: -40°C to +125°C including temp rise.



CUSTOMER TO TIE TERMINALS 1&2&3 AND 4&5&6 ON PCB .

RECOMMENDED P.C. PATTERN, COMPONENT SIDE

Wire insulation & RoHS status not affected by wire color.
Wire insulation color may vary depending on availability.

REV.	DATE	Packaging Specifications Method: Tape & Reel PKG-TBD www.we-online.com/midcom		Tolerances unless otherwise specified: Angles: ±1° Fractions: ±1/64 Decimals: ±.005 [.13] Footprint: ±.005 [.13]	DRAWING TITLE INDUCTOR	PART NO. 750342233
01	5/14		CONVENTION PLACEMENT	This drawing is dual dimensioned. Dimensions in brackets are in millimeters.	eiSos p/n: 750342233	SPECIFICATION SHEET 1 OF 1
00	12/13	SEE REVISION SHEET FOR REVISION LEVEL	REVISION LEVEL			

