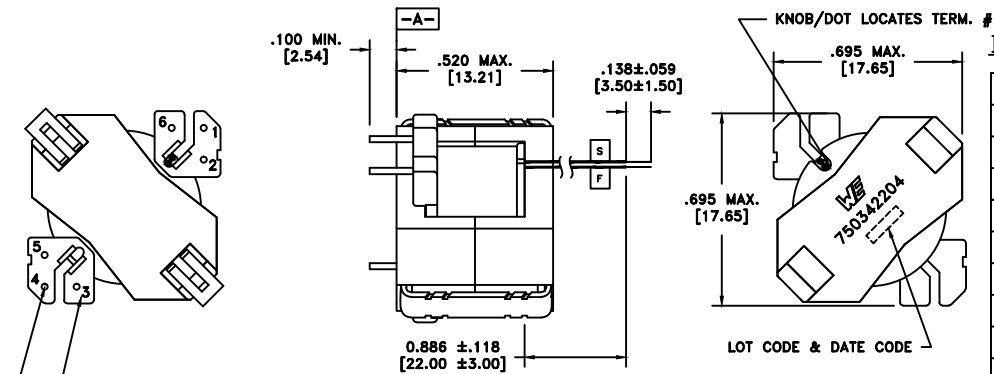
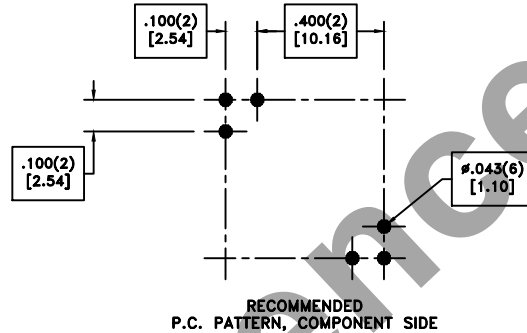
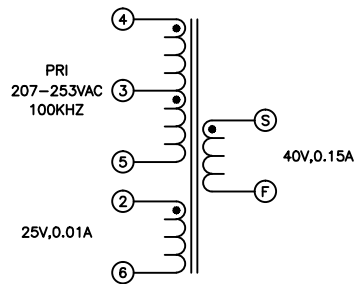


CUSTOMER TERMINAL	RoHS	LEAD(Pb)-FREE
Sn96%, Ag4%	Yes	Yes

more than you expect



TERM. NO.'s FOR REF. ONLY
 #.020(6)
 [.50]
 PART MUST INSERT FULLY TO SURFACE A IN RECOMMENDED GRID



ELECTRICAL SPECIFICATIONS @ 25°C unless otherwise noted:

PARAMETER	TEST CONDITIONS	VALUE
D.C. RESISTANCE	4-5 @20°C	3.55 ohms max.
D.C. RESISTANCE	2-6 @20°C	1.78 ohms max.
D.C. RESISTANCE	S-F @20°C	0.63 ohms max.
INDUCTANCE	4-5 50kHz, 0.1VAC, Ls	2.0mH ±7%
LEAKAGE INDUCTANCE	4-5 tie(2+6+S+F), 50kHz, 0.1VAC, Ls	25.0uH max.
DIELECTRIC	4-S tie(5+6), 3750VAC, 1 second	-
DIELECTRIC	S-core 3000VAC, 1 second	-
DIELECTRIC	4-core tie(5+6), 1500VAC, 1 second	-
URNS RATIO	(4-5):(2-6)	4.8:1, ±2%
URNS RATIO	(4-5):(S-F)	3.0:1, ±2%

GENERAL SPECIFICATIONS:

OPERATING TEMPERATURE RANGE: -40°C to +125°C including temp rise.

Designed to comply with the following requirements as defined by IEC60950-1,
 - Reinforced insulation for a primary circuit at a working voltage of 400VDC.

Wire insulation & RoHS status not affected by wire color.
 Wire insulation color may vary depending on availability.

REV.	DATE	Packaging Specifications
04	4/14	Method: Tray
02	12/13	PKG-0103
01	12/13	www.we-online.com/midcom
00	12/13	SEE REVISION SHEET FOR REVISION LEVEL



Tolerances unless otherwise specified:
 Angles: ±1° Decimals: ±.005 [.13]
 Fractions: ±1/64 Footprint: ±.001 [.03]

This drawing is dual dimensioned. Dimensions in brackets are in millimeters.

DRAWING TITLE
TRANSFORMER

eiSos p/n: 750342204



PART NO.
750342204

SPECIFICATION SHEET 1 OF 1