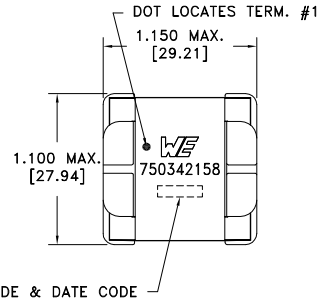
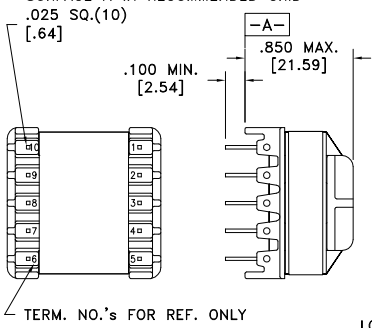


CUSTOMER TERMINAL	RoHS	LEAD(Pb)-FREE
Sn96%, Ag4%	Yes	Yes

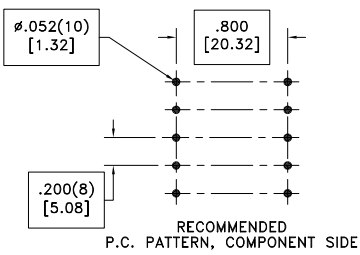
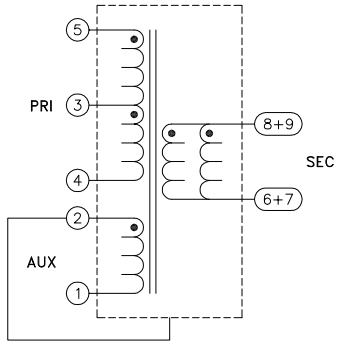


PART MUST INSERT FULLY TO SURFACE A IN RECOMMENDED GRID



ELECTRICAL SPECIFICATIONS @ 25°C unless otherwise noted:

PARAMETER	TEST CONDITIONS	VALUE
D.C. RESISTANCE	5-4 @20°C	0.340 ohms max.
D.C. RESISTANCE	2-1 @20°C	0.420 ohms max.
D.C. RESISTANCE	8-6 @20°C	0.020 ohms max.
INDUCTANCE	5-4 50kHz, 1.0VAC, Ls	368uH ±10%
LEAKAGE INDUCTANCE	5-4 tie(1+2, 5+7+8+9), 100kHz, 1.0VAC, Ls	6uH max.
DIELECTRIC	5-6 tie(2+3, 6+7), 5000VDC, 1 second	5000VDC, 1 minute
DIELECTRIC	6-Core tie(6+7), 5000VDC, 1 second	5000VDC, 1 minute
DIELECTRIC	5-1 2500VDC, 1 second	2500VDC, 1 minute
TURNS RATIO	(5-4):(2-1)	4:1, ±2%
TURNS RATIO	(5-4):(8-6)	6:1, ±2%
TURNS RATIO	(5-4):(9-7)	6:1, ±2%



Customer to tie terminals 6&7 and 8&9 on PCB.

GENERAL SPECIFICATIONS:  
OPERATING TEMPERATURE RANGE: -40°C to +125°C including temp rise.

Wire insulation & RoHS status not affected by wire color.  
Wire insulation color may vary depending on availability.

REV.	DATE	Packaging Specifications Method: Tray PKG-0820 www.we-online.com/midcom		Tolerances unless otherwise specified: Angles: ±1° Fractions: ±1/64 Decimals: ±.005 [.13] Footprint: ±.001 [.03]	DRAWING TITLE <b>TRANSFORMER</b>	PART NO. <b>753042158</b>
6A	11/14	SEE REVISION SHEET FOR REVISION LEVEL		This drawing is dual dimensioned. Dimensions in brackets are in millimeters.	eiSos p/n: 750342158	SPECIFICATION SHEET 1 OF 1