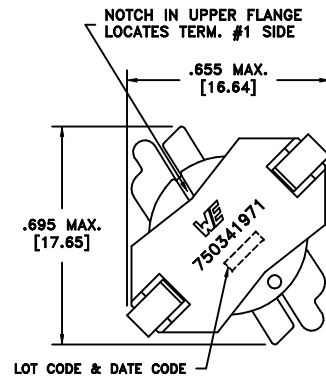
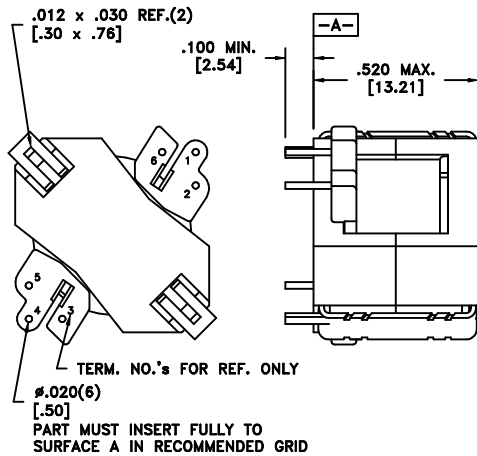


CUSTOMER TERMINAL	RoHS	LEAD(Pb)-FREE
Sn96%, Ag4%	Yes	Yes

more than you expect

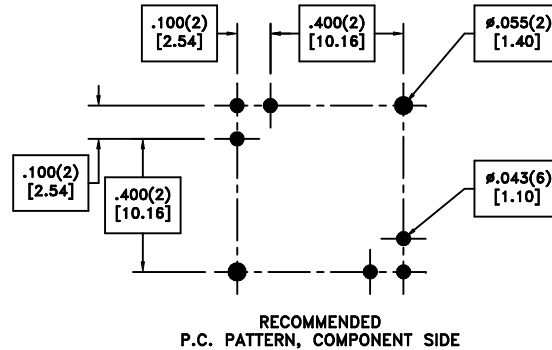
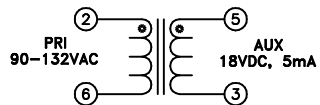


ELECTRICAL SPECIFICATIONS @ 25°C unless otherwise noted:

PARAMETER	TEST CONDITIONS	VALUE
D.C. RESISTANCE	1-6 @20°C	0.44 ohms max
D.C. RESISTANCE	7-8 @20°C	0.836 ohms max
INDUCTANCE	1-6 50kHz, 100mVAC, L _s	325uH ±10%
DIELECTRIC	1-8 625VAC, 1 second	500VAC, 1 minute
URNS RATIO	(1-6):(7-8)	3.3:1, ±2%

GENERAL SPECIFICATIONS:

OPERATING TEMPERATURE RANGE: -40°C to +125°C including temp rise.



REV.	DATE	Packaging Specifications	CONVENTION PLACEMENT
		Method: Tray PKG-0103 www.we-online.com/midcom	
01	7/13		
00	7/13	SEE REVISION SHEET FOR REVISION LEVEL	

Tolerances unless otherwise specified:
 Angles: ±1° Decimals: ±.005 [.13]
 Fractions: ±1/64 Footprint: ±.001 [.03]

This drawing is dual dimensioned. Dimensions in brackets are in millimeters.

DRAWING TITLE
TRANSFORMER

eiSos p/n: 750341971

PART NO.
750341971

SPECIFICATION SHEET 1 OF 1

