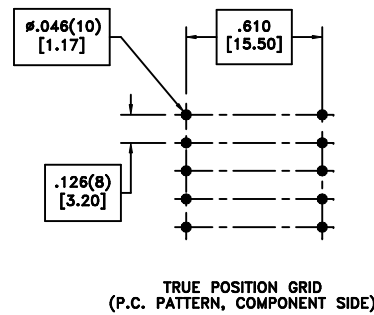
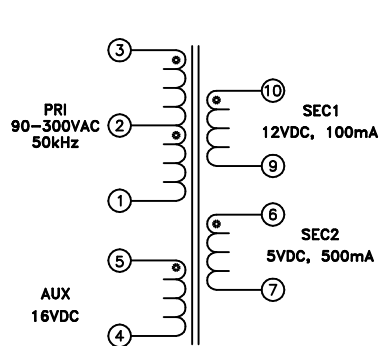
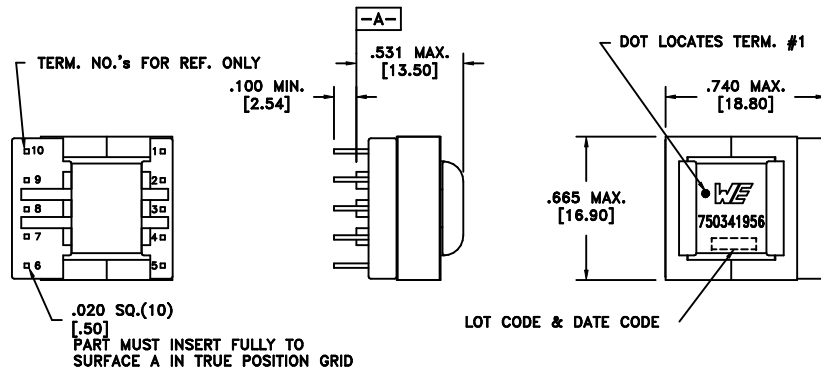




Midcom

CUSTOMER TERMINAL	RoHS	LEAD(Pb)-FREE
Sn96%, Ag4%	Yes	Yes



ELECTRICAL SPECIFICATIONS @ 25°C unless otherwise noted:

PARAMETER	TEST CONDITIONS	VALUE
D.C. RESISTANCE	3-1 @20°C	7.285 ohms max.
D.C. RESISTANCE	5-4 @20°C	0.974 ohms max.
D.C. RESISTANCE	6-7 @20°C	0.08 ohms max.
D.C. RESISTANCE	10-9 @20°C	0.62 ohms max.
INDUCTANCE	3-1 50kHz, 100mVAC, Ls	2.0 mH ±10%
LEAKAGE INDUCTANCE	3-1 tie(4+5, 6+7+9+10), 100kHz, 100mVAC, Ls	60.0 uH max.
DIELECTRIC	3-10 tie(3+5, 6+10), 3750VAC, 1 second	3000VAC, 1 second
DIELECTRIC	10-core tie(6+10) 3750VAC, 1 second	3000VAC, 1 second
TURNS RATIO	(3-1):(5-4)	4.21:1, ±2%
TURNS RATIO	(3-1):(6-7)	12.3:1, ±2%
TURNS RATIO	(3-1):(10-9)	5.52:1, ±2%

GENERAL SPECIFICATIONS:

OPERATING TEMPERATURE RANGE: -40°C to +125°C including temp rise.

Design to comply with the following requirements as defined by IEC60950-1.
 - Reinforced insulation for a primary circuit at working voltage of 425VDC.

Wire insulation & RoHS status not affected by wire color.
 Wire insulation color may vary depending on availability.

REV.	DATE	Packaging Specifications Method: Tray PKG-0730 www.we-online.com/midcom		Tolerances unless otherwise specified: Angles: ±1° Fractions: ±1/64 Decimals: ±.005 [.13] Footprint: ±.001 [.03]	DRAWING TITLE TRANSFORMER	PART NO. 750341956
00	07/13	SEE REVISION SHEET FOR REVISION LEVEL	CONVENTION PLACEMENT	This drawing is dual dimensioned. Dimensions in brackets are in millimeters.	eiSos p/n: 750341956	compliant RoHS SPECIFICATION SHEET 1 OF 1