

CUSTOMER TERMINAL	RoHS	LEAD(Pb)-FREE
Sn96%, Ag4%	Yes	Yes

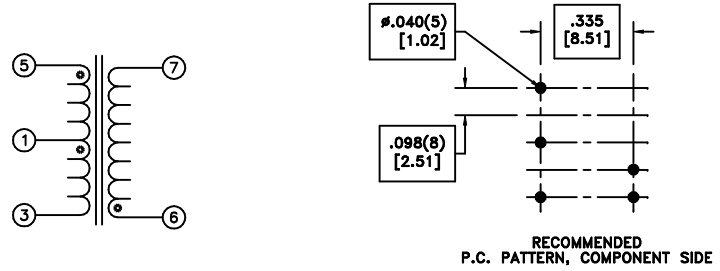
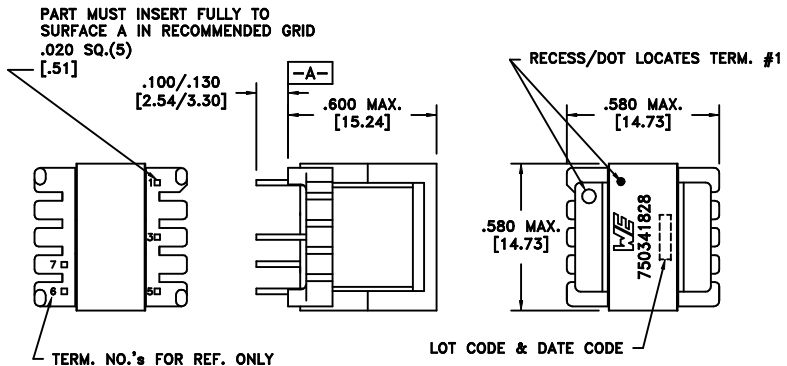
more than you expect



**ELECTRICAL SPECIFICATIONS @ 25°C unless otherwise noted:**

PARAMETER	TEST CONDITIONS	VALUE
D.C. RESISTANCE	5-1 @20°C	0.042 ohms Max
D.C. RESISTANCE	1-3 @20°C	0.261 ohms Max
D.C. RESISTANCE	6-7 @20°C	1.885 ohms Max
INDUCTANCE	5-3 50kHz, 100mVAC, Ls	600uH ±10%
INDUCTANCE	5-1 50kHz, 100mVAC, Ls	48uH ±10%
DIELECTRIC	5-6 800VAC, 1 second	---
URNS RATIO	(5-3):(6-7)	2.22:1, ±2%
URNS RATIO	(1-3):(5-1)	2.52:1, ±2%

**GENERAL SPECIFICATIONS:**  
**OPERATING TEMPERATURE RANGE:** -40°C to +125°C including temp rise.



Wire insulation & RoHS status not affected by wire color.  
 Wire insulation color may vary depending on availability.

REV.	DATE	Packaging Specifications Method: Tray PKG-0101 www.we-online.com/midcom		Tolerances unless otherwise specified: Angles: ±1° Fractions: ±1/64 Decimals: ±.005 [13] Footprint: ±.001 [03]	DRAWING TITLE INDUCTOR	PART NO. 750341828
01	10/13	SEE REVISION SHEET FOR REVISION LEVEL	CONVENTION PLACEMENT	This drawing is dual dimensioned. Dimensions in brackets are in millimeters.	eiSos p/n: 750341828	compliant RoHS
00	03/13					SPECIFICATION SHEET 1 OF 1