

CUSTOMER TERMINAL	RoHS	LEAD(Pb)-FREE
Sn96%, Ag4%	Yes	Yes

more than you expect



ELECTRICAL SPECIFICATIONS @ 25°C unless otherwise noted:

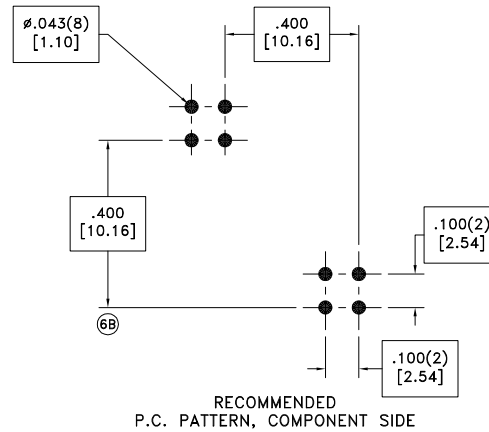
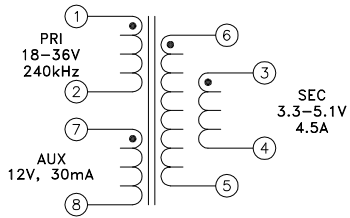
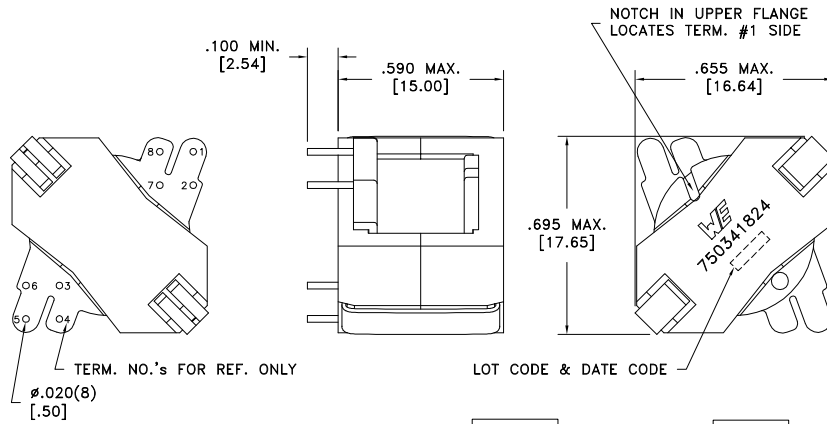
PARAMETER	TEST CONDITIONS	VALUE
D.C. RESISTANCE	1-2 @20°C	0.041 ohms max.
D.C. RESISTANCE	7-8 @20°C	0.048 ohms max.
D.C. RESISTANCE	3-4 @20°C	0.008 ohms max.
INDUCTANCE	1-2 50kHz, 100mVAC, Ls	30uH ±10%
LEAKAGE INDUCTANCE	1-2 tie(3+4+5+6, 7+8), 100kHz, 100mVAC, Ls	0.2uH max.
DIELECTRIC	1-3 tie(3+6, 4+5, 1+8), 3000VAC, 1 second	-
URNS RATIO	(1-2):(7-8)	2:1, ±2%
URNS RATIO	(1-2):(3-4), tie(3+6, 4+5)	4:1, ±2%

GENERAL SPECIFICATIONS:

OPERATING TEMPERATURE RANGE: -40°C to +125°C including temp rise.

Designed to comply with the following requirements as defined by IEC60950-1, EN60950-1, UL60950-1/CSA60950-1 and AS/NZS60950.1:

- Basic insulation for a primary circuit at a working voltage of 100VDC.



Wire insulation & RoHS status not affected by wire color.  
Wire insulation color may vary depending on availability.

REV.	DATE	Packaging Specifications Method: Tray PKG-0937 www.we-online.com/midcom		Tolerances unless otherwise specified: Angles: ±1° Fractions: ±1/64 Decimals: ±.005 [.13] Footprint: ±.001 [.03]	DRAWING TITLE <b>TRANSFORMER</b>	PART NO. <b>750341824</b>
6B	3/15	SEE REVISION SHEET FOR REVISION LEVEL	CONVENTION PLACEMENT	This drawing is dual dimensioned. Dimensions in brackets are in millimeters.	eiSos p/n: 750341824	
6A	8/13					SPECIFICATION SHEET 1 OF 1