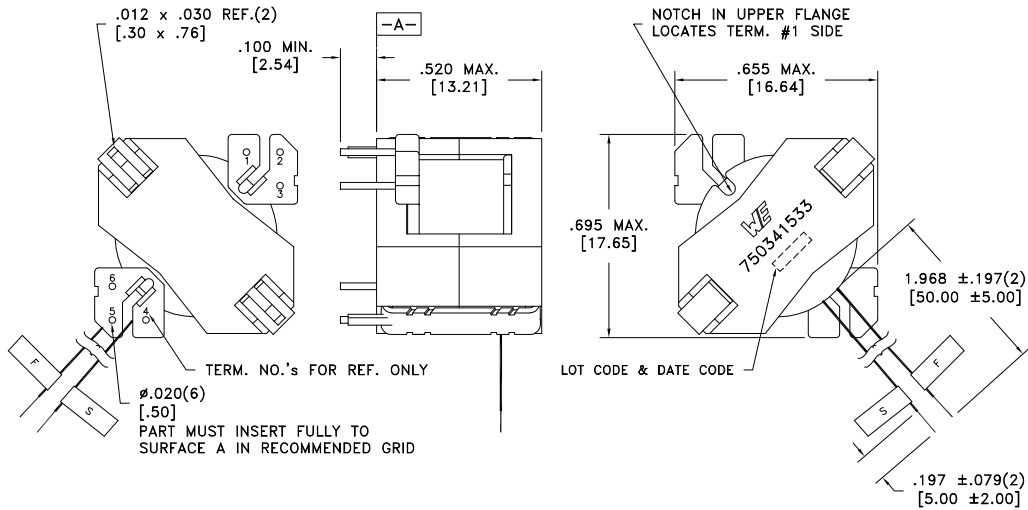


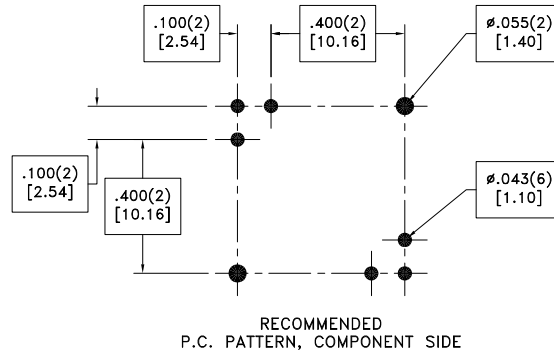
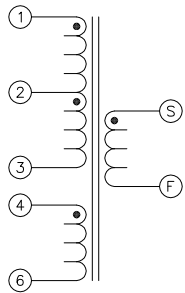
CUSTOMER TERMINAL	RoHS	LEAD(Pb)-FREE
Sn96%, Ag4%	Yes	Yes

more than you expect



ELECTRICAL SPECIFICATIONS @ 25°C unless otherwise noted:

PARAMETER	TEST CONDITIONS	VALUE
D.C. RESISTANCE	1-3 @20°C	1.097 ohms \pm 10%
D.C. RESISTANCE	4-6 @20°C	0.675 ohms \pm 10%
D.C. RESISTANCE	S-F @20°C	0.094 ohms \pm 10%
INDUCTANCE	1-3 50kHz, 100mVAC, Ls	700uH \pm 10%
INDUCTANCE	S-F 50kHz, 100mVAC, Ls	32.0uH \pm 30%
LEAKAGE INDUCTANCE	1-3 tie(4+6+S+F), 70kHz, 100mVAC, Ls	15.0uH max.
DIELECTRIC	S-1 tie(4+3), 3750VAC, 1 second	3000VAC, 1 minute
TURNS RATIO	(1-3):(4-6)	5.14:1, \pm 2%
TURNS RATIO	(1-3):(S-F)	4.50:1, \pm 2%



GENERAL SPECIFICATIONS:

OPERATING TEMPERATURE RANGE: -40°C to +125°C including temp rise.

Wire insulation & RoHS status not affected by wire color.
Wire insulation color may vary depending on availability.

REV.	DATE	Packaging Specifications Method: Tray PKG-0936 www.we-online.com/midcom		Tolerances unless otherwise specified: Angles: $\pm 1^\circ$ Decimals: $\pm .005$ [.13] Fractions: $\pm 1/64$ Footprint: $\pm .001$ [.03]	DRAWING TITLE TRANSFORMER	PART NO. 750341533
6A	10/13	SEE REVISION SHEET FOR REVISION LEVEL	CONVENTION PLACEMENT	This drawing is dual dimensioned. Dimensions in brackets are in millimeters.	eiSos p/n: 750341533	SPECIFICATION SHEET 1 OF 1