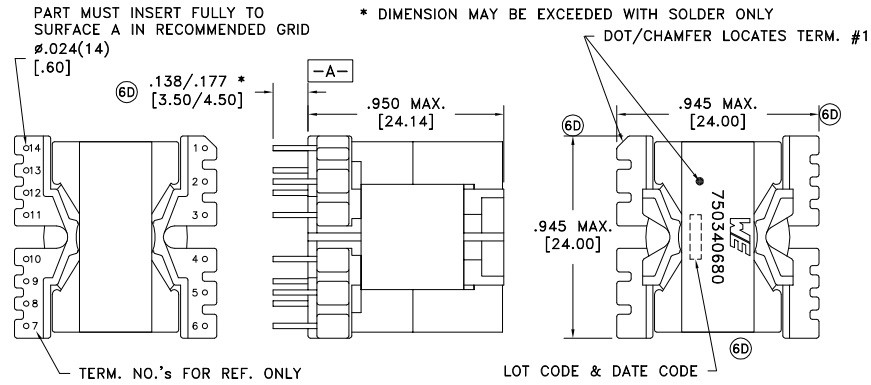


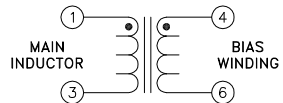
CUSTOMER TERMINAL	RoHS	LEAD(Pb)-FREE	6D
Sn96%, Ag4%	Yes	Yes	

more than you expect

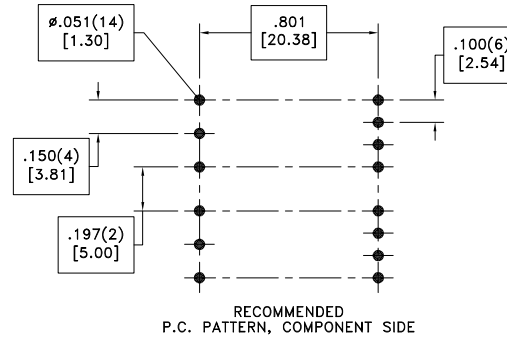


ELECTRICAL SPECIFICATIONS @ 25°C unless otherwise noted:

PARAMETER	TEST CONDITIONS	VALUE
D.C. RESISTANCE	1-3 @20°C	0.4 ohms max.
D.C. RESISTANCE	4-6 @20°C	0.17 ohms max.
INDUCTANCE	1-3 80kHz, 100mVAC, Ls	650 - 700uH
DIELECTRIC	1-4 1000VAC, 1 second	-
TURNS RATIO	(1-3):(4-6)	9.375:1, ±2%



Application Frequency: 80KHz
 50W PFC choke



GENERAL SPECIFICATIONS:

6C OPERATING TEMPERATURE RANGE: -40°C to +125°C including temp rise.

Wire insulation & RoHS status not affected by wire color.
 Wire insulation color may vary depending on availability.

REV.	DATE	Packaging Specifications		Tolerances unless otherwise specified: Angles: $\pm 1^\circ$ Fractions: $\pm 1/64$ Decimals: $\pm .005$ [.13] Footprint: $\pm .001$ [.03]	DRAWING TITLE	PART NO.	
6D	7/15	Method: Tray			This drawing is dual dimensioned. Dimensions in brackets are in millimeters.	INDUCTOR	750340680
6C	9/11	PKG-0239					
6B	5/11	www.we-online.com/midcom					
6A	3/11	SEE REVISION SHEET FOR REVISION LEVEL					
					eiSos p/n: 750340680		SPECIFICATION SHEET 1 OF 1