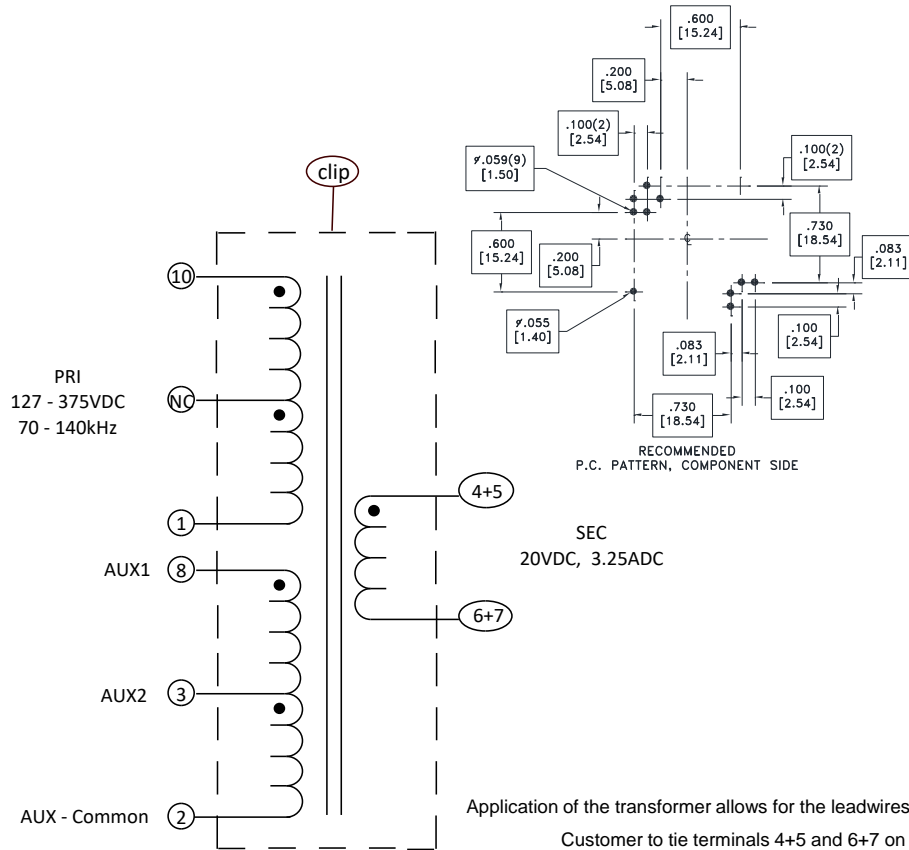
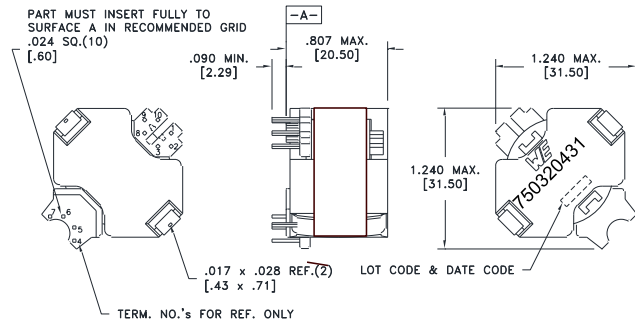


CUSTOMER TERMINAL	RoHS	LEAD(Pb)--FREE
Sn 96%, Ag 4%	Yes	Yes



ELECTRICAL SPECIFICATIONS @ 25° C unless otherwise noted:

PARAMETER	TEST CONDITIONS	VALUE
D.C. RESISTANCE	10-1 @20°C	0.338 ohms ±10%
D.C. RESISTANCE	8-3 @20°C	0.079 ohms ±10%
D.C. RESISTANCE	3-2 @20°C	0.210 ohms ±10%
D.C. RESISTANCE	4-7 tie(4+5,6+7), @20°C	0.014 ohms ±20%
INDUCTANCE	10-1 100kHz, 100mV, Ls	500µH ±10%
SATURATION CURRENT	10-1 20% rolloff from initial	3.5A
LEAKAGE INDUCTANCE	10-1 tie(2+3+8,4+5+6+7),100kHz, 100mV, Ls	5.5µH typ., 7.5µH max.
DIELECTRIC	10-4 tie(1+8,6+7), 3650VAC, 1 second	3650VAC, 1 minute
DIELECTRIC	10-8 625VAC, 1 second	500VAC, 1 minute
URNS RATIO	(10-1):(8-2)	2.53:1
URNS RATIO	(10-1):(3-2)	3.43:1
URNS RATIO	(10-1):(4-7), tie(4+5,6+7)	6:1



GENERAL SPECIFICATIONS:

OPERATING TEMPERATURE RANGE: -40°C to +125°C including temp rise.

Designed to comply with the following requirements as defined by IEC61558-2-16, and EN61558-2-16:

- Reinforced insulation for a primary circuit at a working voltage of 265Vrms, 400Vpeak, OVC II, Pollution Degree 2.

Wire insulation & RoHS status not affected by wire color. Wire insulation color may vary depending on availability. Marking method, font and color may vary on preproduction samples.

DFM	SP	Packaging Specifications	 CONVENTION PLACEMENT	Tolerances unless otherwise specified: Angles: ±1° Decimals: ±.005 [13] Fractions: ±1/64 Footprint: ±.001 [03]	DRAWING TITLE TRANSFORMER	PART NO. 750320431
DATE	2/7/2023	Method: Tray PKG-1175		This drawing is dual dimensioned. Dimensions in brackets are in millimeters.		
ENG	EJK					
REV.	00					
DATE	2/21/2023	www.we-online.com/midcom				SPECIFICATION SHEET 1 OF 1