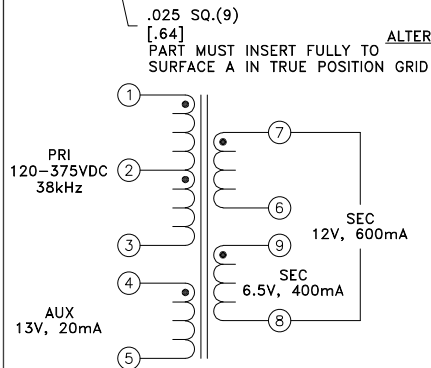
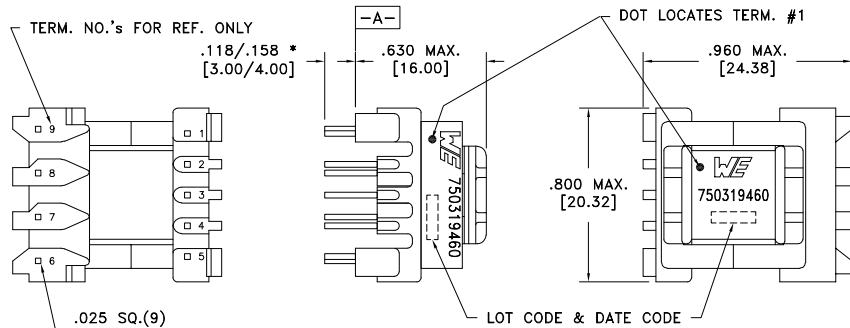


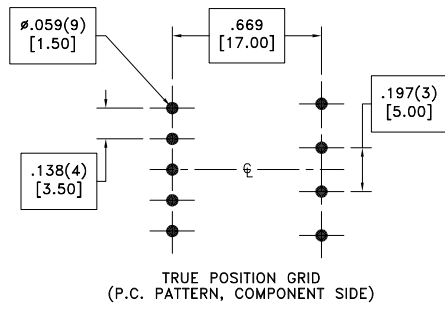
CUSTOMER TERMINAL	RoHS	LEAD(Pb)-FREE
Sn96%, Ag4%	Yes	Yes



\* DIMENSION MAY BE EXCEEDED WITH SOLDER ONLY



ALTERNATE MARKING DETAIL



TRUE POSITION GRID  
(P.C. PATTERN, COMPONENT SIDE)

ELECTRICAL SPECIFICATIONS @ 25°C unless otherwise noted:

PARAMETER	TEST CONDITIONS	VALUE
D.C. RESISTANCE	1-3 @20°C	5.88 ohms ±10%
D.C. RESISTANCE	4-5 @20°C	2.49 ohms ±10%
D.C. RESISTANCE	6-7 @20°C	0.096 ohms ±10%
D.C. RESISTANCE	8-9 @20°C	0.108 ohms ±10%
INDUCTANCE	1-3 10kHz, 100mVAC, Ls	1.50mH ±10%
SATURATION CURRENT	1-3 20% rolloff from initial	840mA
LEAKAGE INDUCTANCE	1-3 tie(4+5, 6+7+8+9), 100kHz, 100mVAC, Ls	27uH typ., 42uH max.
DIELECTRIC	1-9 tie(3+4, 7+8), 3900VAC, 1 second	3900VAC, 1 minute
DIELECTRIC	1-5 500VAC, 1 second	-
TURNS RATIO	(1-2):(2-3)	1:1
TURNS RATIO	(1-3):(4-5)	5.31:1
TURNS RATIO	(1-3):(7-6)	12.14:1
TURNS RATIO	(1-3):(9-8)	10.63:1
TURNS RATIO	(1-3):(7-8), tie(6+9)	5.67:1

GENERAL SPECIFICATIONS:

OPERATING TEMPERATURE RANGE: -40°C to +125°C including temp rise.

Designed to comply with the following requirements as defined by IEC61558-2-16, and EN61558-2-16:

- Reinforced insulation for a primary circuit at a working voltage of 265Vrms, 400Vpeak, (operating frequency of <1MHz), Pollution Degree 2.

Wire insulation & RoHS status not affected by wire color.  
Wire insulation color may vary depending on availability.

REV.	DATE	Packaging Specifications Method: <b>Tape &amp; Reel</b> PKG-0735 www.we-online.com/midcom		Tolerances unless otherwise specified: Angles: ±1° Fractions: ±1/64 Decimals: ±.005 [ .13 ] Footprint: ±.001 [ .03 ]	DRAWING TITLE <b>TRANSFORMER</b>	PART NO. <b>750319460</b>
6A	12/23	SEE REVISION SHEET FOR REVISION LEVEL	CONVENTION PLACEMENT	This drawing is dual dimensioned. Dimensions in brackets are in millimeters.	eiSos p/n: 750319460	compliant RoHS SPECIFICATION SHEET 1 OF 1