

CUSTOMER TERMINAL	RoHS	LEAD(Pb)-FREE
Sn96%, Ag4%	Yes	Yes

more than you expect



ELECTRICAL SPECIFICATIONS @ 25°C unless otherwise noted:

PARAMETER	TEST CONDITIONS	VALUE
D.C. RESISTANCE	1-3 @20°C	2.43 ohms ±10%
D.C. RESISTANCE	4-5 @20°C	2.15 ohms ±10%
D.C. RESISTANCE	5-6 @20°C	0.605 ohms ±10%
D.C. RESISTANCE	8-13 tie(8+9, 12+13), @20°C	0.048 ohms ±20%
INDUCTANCE	1-3 10kHz, 100mVAC, Ls	1.70mH ±10%
SATURATION CURRENT	1-3 20% rolloff from initial	750mA
LEAKAGE INDUCTANCE	1-3 tie(4+5+6, 8+9+12+13), 100kHz, 100mVAC, Ls	20uH typ., 40uH max.
DIELECTRIC	1-13 tie(3+4, 8+9), 4000VDC, 1 second	4000VDC, 1 minute
DIELECTRIC	1-6 500VAC, 1 second	-
URNS RATIO	(1-2):(2-3)	1.15:1
URNS RATIO	(1-3):(5-4)	4.96:1
URNS RATIO	(1-3):(8-13), tie(8+9, 12+13)	6:1
URNS RATIO	(1-3):(6-5)	19:1

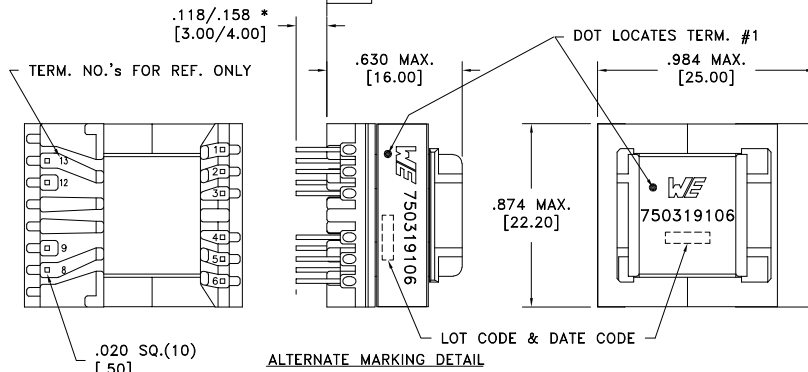
GENERAL SPECIFICATIONS:

OPERATING TEMPERATURE RANGE: -40°C to +125°C including temp rise.

Designed to comply with the following requirements as defined by IEC62368-1, EN62368-1, UL62368-1/CSA62368-1 and AS/NZS62368.1:

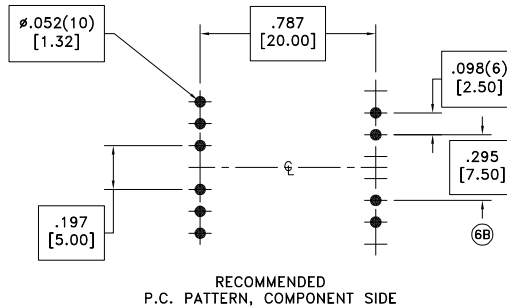
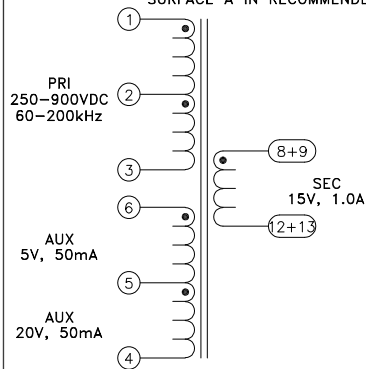
- Basic insulation for a primary circuit at a working voltage of 1000Vrms, Overvoltage Category II, Pollution Degree 1.

* DIMENSION MAY BE EXCEEDED WITH SOLDER ONLY



ALTERNATE MARKING DETAIL

.020 SQ.(10) [1.50]
PART MUST INSERT FULLY TO SURFACE A IN RECOMMENDED GRID



Customer to tie terminals 8+9 and 12+13 on PC board.

Application of the transformer allows for the leadwires between terminals 8&9 and 12&13 to solder bridge.

Wire insulation & RoHS status not affected by wire color.
Wire insulation color may vary depending on availability.

REV.	DATE	Packaging Specifications	CONVENTION PLACEMENT
		Method: Tray PKG-0736 www.we-online.com/midcom	
6B	5/23		
6A	10/20	SEE REVISION SHEET FOR REVISION LEVEL	

Tolerances unless otherwise specified:
Angles: ±1°
Fractions: ±1/64
Decimals: ±.005 [0.13]
Footprint: ±.001 [0.03]
This drawing is dual dimensioned. Dimensions in brackets are in millimeters.

DRAWING TITLE
TRANSFORMER
eiSos p/n: 750319106

PART NO.
750319106
SPECIFICATION SHEET 1 OF 1

