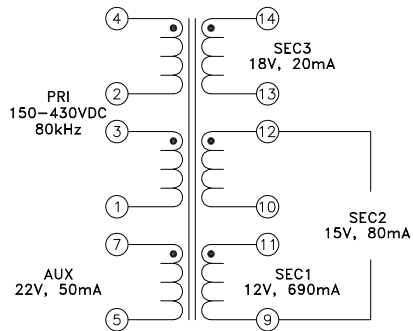
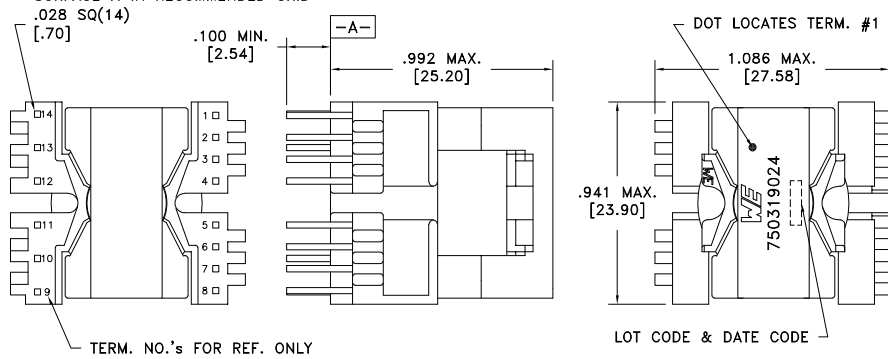


CUSTOMER TERMINAL	RoHS	LEAD(Pb)-FREE
Sn96%, Ag4%	Yes	Yes

more than you expect



PART MUST INSERT FULLY TO SURFACE A IN RECOMMENDED GRID



Customer to tie terminals 2+3 and 10+11 on PC board.

Application of the transformer allows for the leadwires between terminals 2&3 and 10&11 to solder bridge.

ELECTRICAL SPECIFICATIONS @ 25°C unless otherwise noted:

PARAMETER	TEST CONDITIONS	VALUE
D.C. RESISTANCE	1-4 tie(2+3), @20°C	8.62 ohms ±10%
D.C. RESISTANCE	5-7 @20°C	1.78 ohms ±10%
D.C. RESISTANCE	9-11 @20°C	0.098 ohms ±10%
D.C. RESISTANCE	10-12 @20°C	0.115 ohms ±10%
D.C. RESISTANCE	13-14 @20°C	0.662 ohms ±10%
INDUCTANCE	1-4 tie(2+3), 10kHz, 100mVAC, Ls	2.00mH ±10%
SATURATION CURRENT	1-4 tie(2+3), 20% rolloff from initial	2.25A
LEAKAGE INDUCTANCE	1-4 tie(2+3, 5+7, 9+10+11+12+13+14), 100kHz, 100mVAC, Ls	45uH typ., 90uH max.
DIELECTRIC	1-14 tie(2+3, 4+5, 10+11+13), 3000VAC, 1 second	3000VAC, 1 minute
DIELECTRIC	1-7 tie(2+3), 500VAC, 1 second	-
DIELECTRIC	9-14 500VAC, 1 second	-
TURNS RATIO	(4-2):(3-1)	1:1
TURNS RATIO	(4-1):(7-5), tie(2+3)	5.67:1
TURNS RATIO	(4-1):(14-13), tie(2+3)	6.8:1
TURNS RATIO	(4-1):(12-9), tie(2+3, 10+11)	8.1:1
TURNS RATIO	(4-1):(11+9), tie(2+3)	10:1

GENERAL SPECIFICATIONS:

OPERATING TEMPERATURE RANGE: -40°C to +125°C including temp rise.

Safety standard undefined.

Wire insulation & RoHS status not affected by wire color.
Wire insulation color may vary depending on availability.

REV.	DATE	Packaging Specifications Method: Tray PKG-0239 www.we-online.com/midcom		Tolerances unless otherwise specified: Angles: ±1° Fractions: ±1/64 Decimals: ±.005 [.13] Footprint: ±.001 [.03]	DRAWING TITLE TRANSFORMER	PART NO. 750319024
6A	9/21	SEE REVISION SHEET FOR REVISION LEVEL		This drawing is dual dimensioned. Dimensions in brackets are in millimeters.	eiSos p/n: 750319024	SPECIFICATION SHEET 1 OF 1