

CUSTOMER TERMINAL	RoHS	LEAD(Pb)-FREE
Sn96%, Ag4%	Yes	Yes

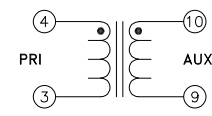
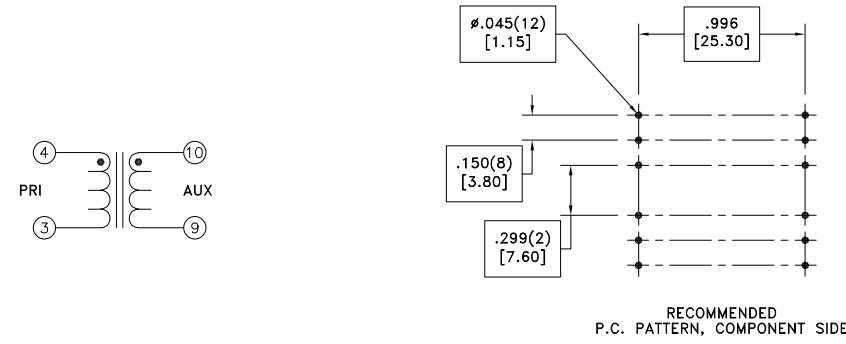
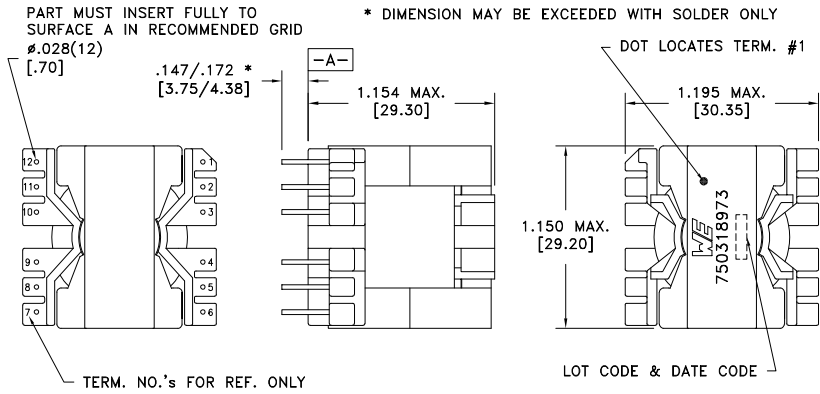


ELECTRICAL SPECIFICATIONS @ 25°C unless otherwise noted:

PARAMETER	TEST CONDITIONS	VALUE
D.C. RESISTANCE	4-3 @20°C	0.052 ohms ±10%
D.C. RESISTANCE	10-9 @20°C	0.086 ohms ±10%
INDUCTANCE	4-3 10kHz, 100mVAC, Ls	150uH ±10%
SATURATION CURRENT	4-3 20% rolloff from initial	9.0A
DIELECTRIC	4-9 1000VAC, 1 second	-
URNS RATIO	(4-3):(10-9)	16.5:1

GENERAL SPECIFICATIONS:

OPERATING TEMPERATURE RANGE: -40°C to +125°C including temp rise.



Wire insulation & RoHS status not affected by wire color.
Wire insulation color may vary depending on availability.

REV.	DATE	Packaging Specifications Method: Tray PKG-0807 www.we-online.com/midcom		Tolerances unless otherwise specified: Angles: ±1° Fractions: ±1/64 Decimals: ±.005 [.13] Footprint: ±.001 [.03]	DRAWING TITLE INDUCTOR	PART NO. 750318973
6A	4/23	SEE REVISION SHEET FOR REVISION LEVEL		This drawing is dual dimensioned. Dimensions in brackets are in millimeters.	eiSos p/n: 750318973	SPECIFICATION SHEET 1 OF 1