

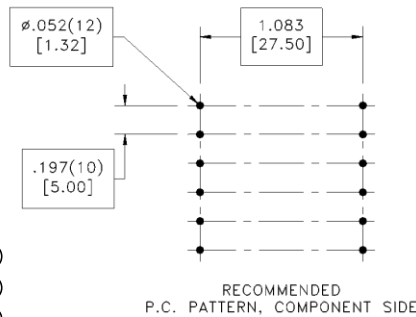
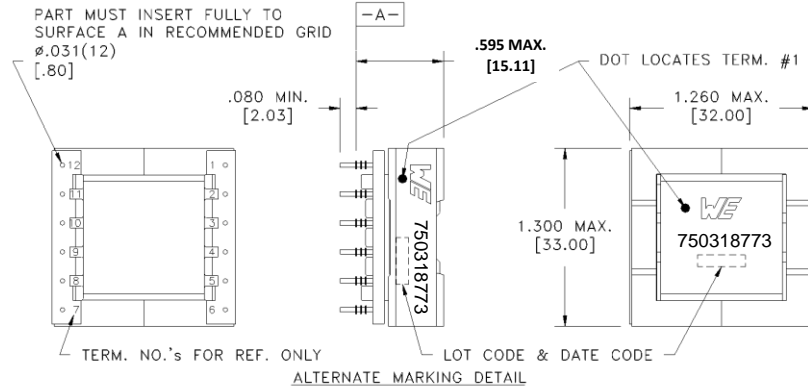
| | | |
|-------------------|------|----------------|
| CUSTOMER TERMINAL | RoHS | LEAD(Pb)--FREE |
| Sn 96%, Ag 4% | Yes | Yes |

more than you expect



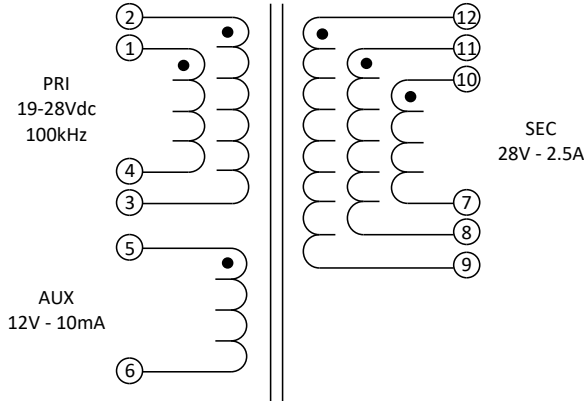
ELECTRICAL SPECIFICATIONS @ 25° C unless otherwise noted:

| PARAMETER | TEST CONDITIONS | VALUE |
|--------------------|--|------------------------|
| D.C. RESISTANCE | 1-4 tie(1+2, 3+4), @20°C | 0.035 ohms ±20% |
| D.C. RESISTANCE | 5-6 @20°C | 0.115 ohms ±10% |
| D.C. RESISTANCE | 7-12 tie(7+8+9, 10+11+12), @20°C | 0.044 ohms ±20% |
| INDUCTANCE | 1-4 tie(1+2, 3+4), 10kHz, 100mV, Ls | 50.00µH ±10% |
| SATURATION CURRENT | 1-4 tie(1+2, 3+4), 20% rolloff from initial | 11.5A |
| LEAKAGE INDUCTANCE | 1-4 tie(1+2, 3+4, 5+6, 7+8+9+10+11+12), 100kHz, 50mV, Ls | 400nH typ., 1.0µH max. |
| DIELECTRIC | 1-12 tie(1+2, 4+5, 7+8+9), 1875VAC, 1 second | |
| URNS RATIO | (1-4):(12-9), tie(1+2, 3+4, 7+8+9, 10+11+12) | 1:1, ±1% |
| URNS RATIO | (1-4):(5-6), tie(1+2, 3+4) | 2:1, ±1% |



GENERAL SPECIFICATIONS:

OPERATING TEMPERATURE RANGE: -40°C to +125°C including temp rise.



Application of the transformer allows for the leadwires between terminals 1&2, 3&4, 7&8&9 and 10&11&12_ to solder bridge.

Customer to tie terminals 1+2, 3+4, 7+8+9 and 10+11+12 on PC board.

Wire insulation & RoHS status not affected by wire color. Wire insulation color may vary depending on availability.

| | | | | | | |
|------|-----------|--------------------------|-----------------------------|---|--------------------|----------------------------|
| DFM | SP | Packaging Specifications | <p>CONVENTION PLACEMENT</p> | Tolerances unless otherwise specified: Angles: $\pm 1^\circ$ Decimals: $\pm .005$ [.13] Fractions: $\pm 1/64$ Footprint: $\pm .001$ [.03] | DRAWING TITLE | PART NO. |
| DATE | 10/8/2019 | Method: Tray | | This drawing is dual dimensioned. Dimensions in brackets are in millimeters. | TRANSFORMER | 750318773 |
| ENG | PLP | PKG-0841 | | | | |
| REV. | 01 | | | | | |
| DATE | 2/5/2020 | www.we-online.com/midcom | | | | SPECIFICATION SHEET 1 OF 1 |