

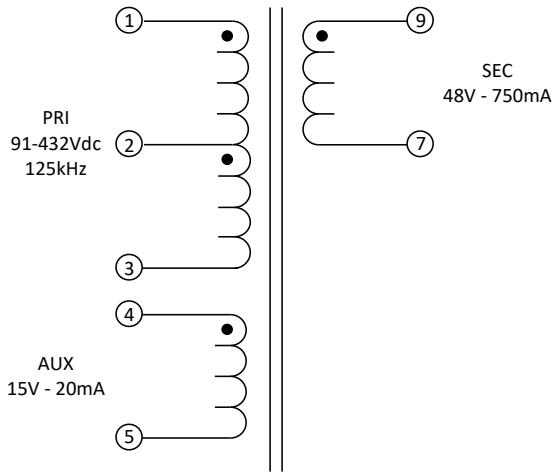
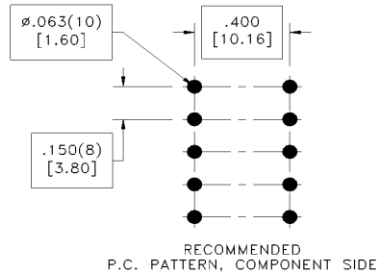
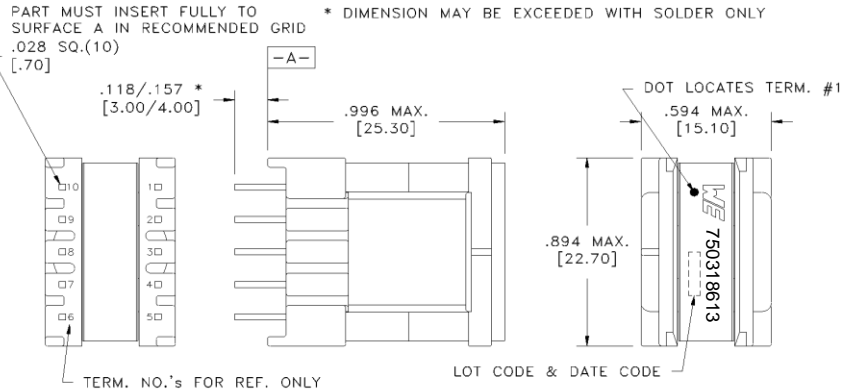
CUSTOMER TERMINAL	RoHS	LEAD(Pb)--FREE
Sn 96%, Ag 4%	Yes	Yes

more than you expect



**ELECTRICAL SPECIFICATIONS @ 25° C unless otherwise noted:**

PARAMETER	TEST CONDITIONS	VALUE
D.C. RESISTANCE	1-3 @20°C	0.215 ohms ±10%
D.C. RESISTANCE	4-5 @20°C	0.115 ohms ±10%
D.C. RESISTANCE	9-7 @20°C	0.120 ohms ±10%
INDUCTANCE	1-3 10kHz, 100mV, Ls	110µH ±10%
SATURATION CURRENT	1-3 20% rolloff from initial	3.6A
LEAKAGE INDUCTANCE	1-3 tie(7+9), 100kHz, 100mV, Ls	1.8µH typ., 3.6µH max.
DIELECTRIC	1-9 tie(3+4), 4000VAC, 1 second	4000VAC, 1 minute
DIELECTRIC	1-5 625VAC, 1 second	
TURNS RATIO	(1-2):(2-3)	1:1, ±1%
TURNS RATIO	(1-3):(4-5)	3.56:1, ±1%
TURNS RATIO	(1-3):(9-7)	1.14:1, ±1%



**GENERAL SPECIFICATIONS:**

OPERATING TEMPERATURE RANGE: -40°C to +125°C including temp rise.

Designed to comply with the following requirements as defined by IEC62368-1, EN62368-1, UL62368-1/CSA62368-1 and AS/NZS62368.1:

- Supplementary insulation for a primary circuit at a working voltage of 305Vrms, 432Vpeak, OVC II, Pollution Degree 2.

Wire insulation & RoHS status not affected by wire color. Wire insulation color may vary depending on availability.

DFM	Packaging Specifications	 CONVENTION PLACEMENT	Tolerances unless otherwise specified: Angles: ±1° Decimals: ±.005 [.13] Fractions: ±1/64 Footprint: ±.001 [.03]	DRAWING TITLE	PART NO.
DATE	Method: Tray		This drawing is dual dimensioned. Dimensions in brackets are in millimeters.	<b>TRANSFORMER</b>	<b>750318613</b>
ENG	PKG-1034				SPECIFICATION SHEET 1 OF 1
REV.	04				
DATE	4/17/2020	www.we-online.com/midcom			