

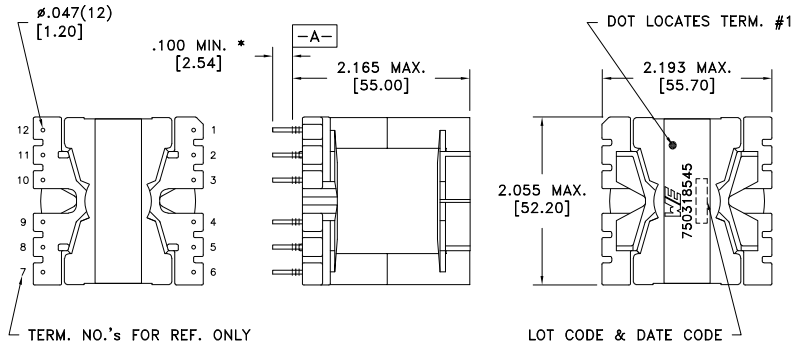
CUSTOMER TERMINAL	RoHS	LEAD(Pb)-FREE
Sn96%, Ag4%	Yes	Yes



ELECTRICAL SPECIFICATIONS @ 25°C unless otherwise noted:

PARAMETER	TEST CONDITIONS	VALUE
D.C. RESISTANCE	3-10 tie(3+4, 9+10), @20°C	0.067 ohms ±10%
INDUCTANCE	3-10 tie(3+4, 9+10), 10kHz, 100mVAC, Ls	360uH ±10%
SATURATION CURRENT	3-10 tie(3+4, 9+10), 20% rolloff from initial	29A
DIELECTRIC	3-Core tie(9+10), 625VAC, 1 second	-

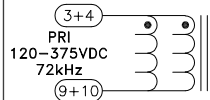
PART MUST INSERT FULLY TO SURFACE A IN RECOMMENDED GRID * DIMENSION MAY BE EXCEEDED WITH SOLDER ONLY



GENERAL SPECIFICATIONS:

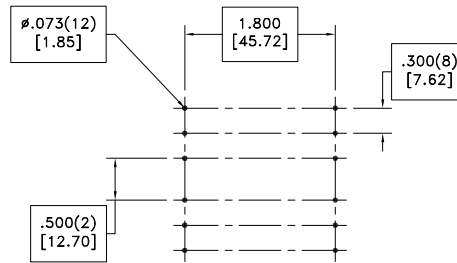
OPERATING TEMPERATURE RANGE: -40°C to +125°C including temp rise.

Functional insulation only.



Customer to tie terminals 3+4 and 9+10 on PC board.

Application of the transformer allows for the leadwires between terminals 3&4 and 9&10 to solder bridge.



RECOMMENDED P.C. PATTERN, COMPONENT SIDE

Wire insulation & RoHS status not affected by wire color.
Wire insulation color may vary depending on availability.

REV.	DATE	Packaging Specifications Method: Tray PKG-1318 www.we-online.com/midcom		Tolerances unless otherwise specified: Angles: ±1° Fractions: ±1/64 Decimals: ±.005 [.13] Footprint: ±.001 [.03]	DRAWING TITLE INDUCTOR	PART NO. 750318545
6A	3/23	SEE REVISION SHEET FOR REVISION LEVEL		This drawing is dual dimensioned. Dimensions in brackets are in millimeters.	eiSos p/n: 750318545	SPECIFICATION SHEET 1 OF 1