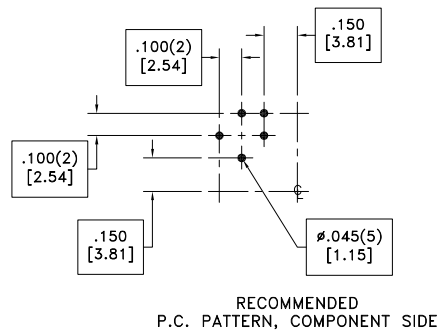
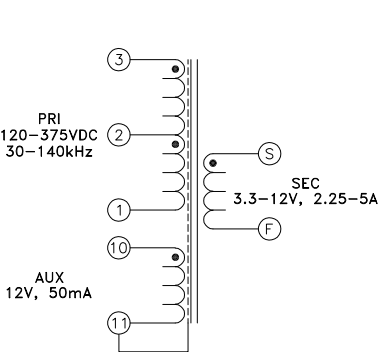
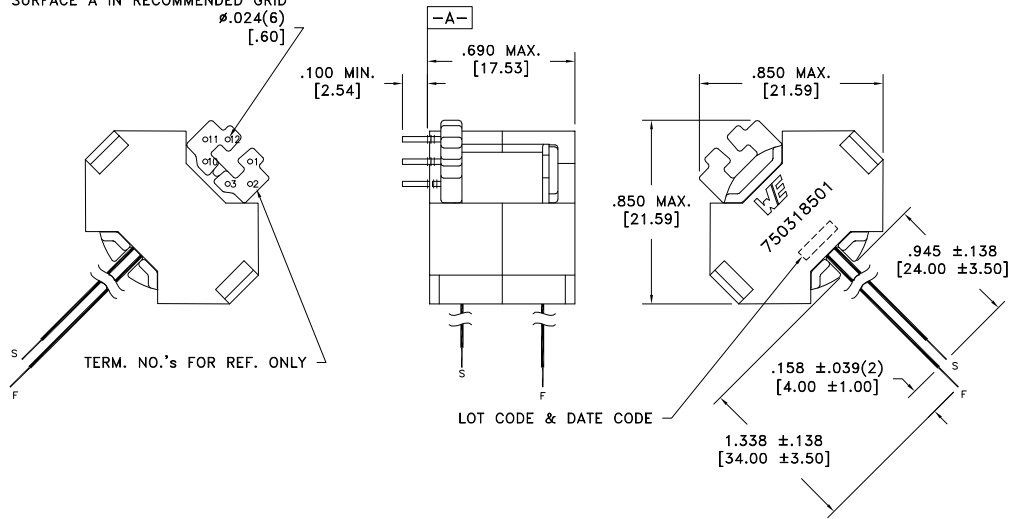


CUSTOMER TERMINAL	RoHS	LEAD(Pb)-FREE
Sn96%, Ag4%	Yes	Yes

more than you expect



PART MUST INSERT FULLY TO SURFACE A IN RECOMMENDED GRID
 $\phi.024(6)$
 [.60]



ELECTRICAL SPECIFICATIONS @ 25°C unless otherwise noted:

PARAMETER	TEST CONDITIONS	VALUE
D.C. RESISTANCE	1-3 @20°C	0.355 ohms \pm 10%.
D.C. RESISTANCE	10-11 @20°C	0.550 ohms \pm 10%.
D.C. RESISTANCE	S-F @20°C	0.012 ohms max.
INDUCTANCE	1-3 10kHz, 1.0VAC, Ls	310.00uH \pm 10%
SATURATION CURRENT	1-3 20% rolloff from initial	3.4A
LEAKAGE INDUCTANCE	1-3 tie(10+11+S+F), 100kHz, 100VAC, Ls	4.0uH typ., 8.0uH max.
DIELECTRIC	3-S tie(1+10), 4000VAC, 1 second	4000VAC, 1 minute
URNS RATIO	(3-1):(S-F)	7:1, \pm 1%
URNS RATIO	(3-1):(10-11)	2.33:1, \pm 1%

GENERAL SPECIFICATIONS:

OPERATING TEMPERATURE RANGE: -40°C to +125°C including temp rise.

Designed to comply with the following requirements as defined by IEC60950-1, EN60950-1, UL60950-1/CSA60950-1 and AS/NZS60950.1:

- Reinforced insulation for a primary circuit at a working voltage of 265Vrms, 400Vpeak, Overvoltage Category II, Pollution Degree 2.

Designed to comply with the following requirements as defined by IEC61558-2-16 and EN61558-2-16:

- Reinforced insulation for a primary circuit at a working voltage of 265Vrms, 400Vpeak (operating frequency of <1MHz), Pollution Degree 2.

Wire insulation & RoHS status not affected by wire color.
 Wire insulation color may vary depending on availability.

REV.	DATE	Packaging Specifications Method: Tray PKG-1137 www.we-online.com/midcom		Tolerances unless otherwise specified: Angles: \pm 1° Fractions: \pm 1/64 Decimals: \pm .005 [.13] Footprint: \pm .001 [.03]	DRAWING TITLE TRANSFORMER	PART NO. 750318501
6A	4/20	SEE REVISION SHEET FOR REVISION LEVEL	CONVENTION PLACEMENT	This drawing is dual dimensioned. Dimensions in brackets are in millimeters.	eiSos p/n: 750318501	SPECIFICATION SHEET 1 OF 1