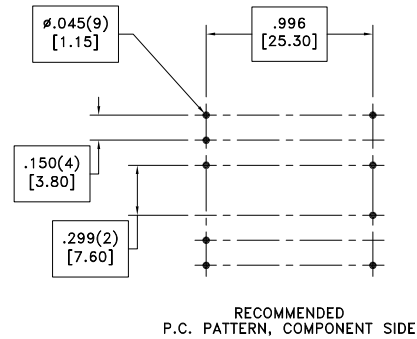
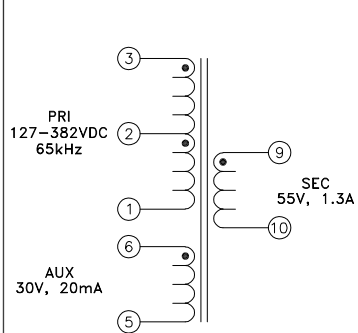
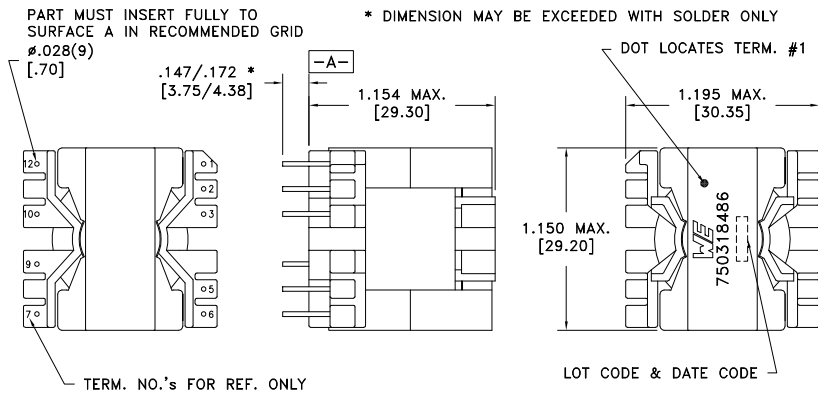


CUSTOMER TERMINAL	RoHS	LEAD(Pb)-FREE
Sn96%, Ag4%	Yes	Yes



ELECTRICAL SPECIFICATIONS @ 25°C unless otherwise noted:

PARAMETER	TEST CONDITIONS	VALUE
D.C. RESISTANCE	3-2 @20°C	0.090 ohms ±10%
D.C. RESISTANCE	9-10 @20°C	0.065 ohms ±10%
D.C. RESISTANCE	6-5 @20°C	0.098 ohms ±10%
D.C. RESISTANCE	2-1 @20°C	0.112 ohms ±10%
INDUCTANCE	3-1 10kHz, 100mVAC, Ls	215uH ±10%
SATURATION CURRENT	3-1 20% rolloff from initial	5A
LEAKAGE INDUCTANCE	3-1 tie(5+6, 9+10), 100kHz, 100mVAC, Ls	2.6uH typ., 3.9uH max.
DIELECTRIC	1-9 tie(1+6), 4000VAC, 1 second	4000VAC, 1 minute
TURNS RATIO	(3-1):(9-10)	1.5:1, ±1%
TURNS RATIO	(3-1):(6-5)	4.71:1, ±1%
TURNS RATIO	(3-2):(2-1)	1.06:1, ±1%

GENERAL SPECIFICATIONS:

OPERATING TEMPERATURE RANGE: -40°C to +125°C including temp rise.

Designed to comply with the following requirements as defined by IEC62368-1, EN62368-1, UL62368-1/CSA62368-1 and AS/NZS62368.1:

- Reinforced insulation for a primary circuit at a working voltage of 300Vrms, 425Vpeak, Overvoltage Category II, Pollution Degree 2.

Wire insulation & RoHS status not affected by wire color.
 Wire insulation color may vary depending on availability.

REV.	DATE	Packaging Specifications Method: Tray PKG-0807 www.we-online.com/midcom		Tolerances unless otherwise specified: Angles: ±1° Decimals: ±.005 [.13] Fractions: ±1/64 Footprint: ±.001 [.03]	DRAWING TITLE TRANSFORMER	PART NO. 750318486
6A	11/19	SEE REVISION SHEET FOR REVISION LEVEL		This drawing is dual dimensioned. Dimensions in brackets are in millimeters.	eiSos p/n: 750318486	SPECIFICATION SHEET 1 OF 1