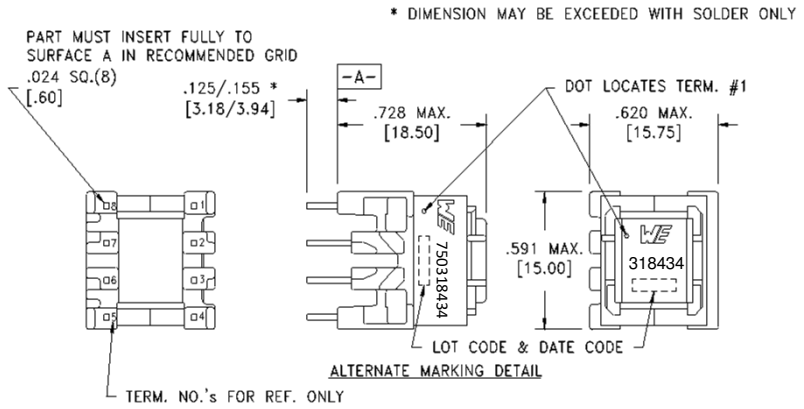


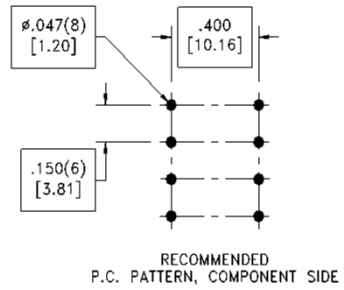
CUSTOMER TERMINAL	RoHS	LEAD(Pb)--FREE
Sn 96%, Ag 4%	Yes	Yes

more than you expect



ELECTRICAL SPECIFICATIONS @ 25° C unless otherwise noted:

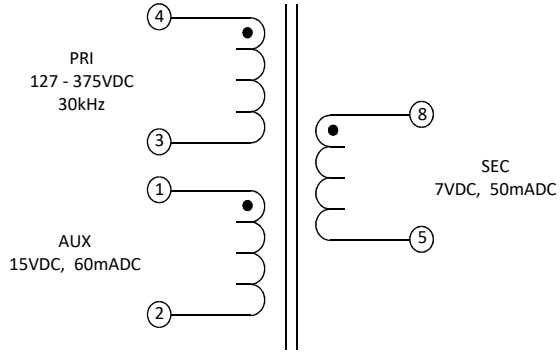
PARAMETER	TEST CONDITIONS	VALUE
D.C. RESISTANCE	4-3 @20°C	5.00 ohms max.
D.C. RESISTANCE	1-2 @20°C	1.00 ohms max.
D.C. RESISTANCE	8-5 @20°C	0.153 ohms max.
INDUCTANCE	4-3 1kHz, 100mV, Ls	3.15mH ±15%
SATURATION CURRENT	4-3 20% rolloff from initial	200mA
LEAKAGE INDUCTANCE	4-3 tie(5+8), 100kHz, 100mV, Ls	45µH typ., 80µH max.
DIELECTRIC	4-8 tie(1+3), 625VAC, 1 second	500VAC, 1 minute
DIELECTRIC	4-1 625VAC, 1 second	500VAC, 1 minute
TURNS RATIO	(4-3):(1-2)	3.78:1, ±2%
TURNS RATIO	(4-3):(8-5)	7.85:1, ±2%



GENERAL SPECIFICATIONS:

OPERATING TEMPERATURE RANGE: -40°C to +125°C including temp rise.

Safety standard undefined.



Wire insulation & RoHS status not affected by wire color. Wire insulation color may vary depending on availability.

DFM	SP	Packaging Specifications	<p>CONVENTION PLACEMENT</p>	Tolerances unless otherwise specified: Angles: ±1° Decimals: ±.005 [13] Fractions: ±1/64 Footprint: ±.001 [03]	DRAWING TITLE	PART NO.
DATE	5/14/2019	Method: Tray		<p>This drawing is dual dimensioned. Dimensions in brackets are in millimeters.</p>	<p>TRANSFORMER</p>	<p>750318434</p>
ENG	EJK	PKG-0973				
REV.	00					
DATE	5/24/2019	www.we-online.com/midcom				SPECIFICATION SHEET 1 OF 1