

CUSTOMER TERMINAL	RoHS	LEAD(Pb)-FREE
Sn96%, Ag4%	Yes	Yes

more than you expect



ELECTRICAL SPECIFICATIONS @ 25°C unless otherwise noted:

PARAMETER	TEST CONDITIONS	VALUE
D.C. RESISTANCE	2-5 tie(3+4), @20°C	3.460 ohms ±10%
D.C. RESISTANCE	8-10 @20°C	0.045 ohms ±20%
D.C. RESISTANCE	11-13 @20°C	0.045 ohms ±20%
INDUCTANCE	2-5 tie(3+4), 10kHz, 100mVAC, Ls	2.20mH ±10%
SATURATION CURRENT	2-5 tie(3+4), 20% rolloff from initial	900mA
LEAKAGE INDUCTANCE	2-5 tie(3+4, 8+10+11+13), 100kHz, 100mVAC, Ls	38uH typ., 65uH max.
DIELECTRIC	2-13 tie(3+4, 10+11), 4000VAC, 1 second	4000VAC, 1 minute
TURNS RATIO	(2-5):(10-8), tie(3+4)	12.9:1
TURNS RATIO	(2-5):(13-11), tie(3+4)	12.9:1

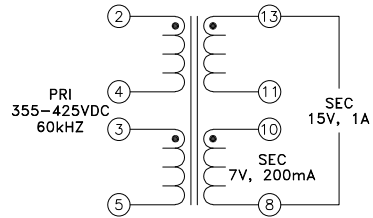
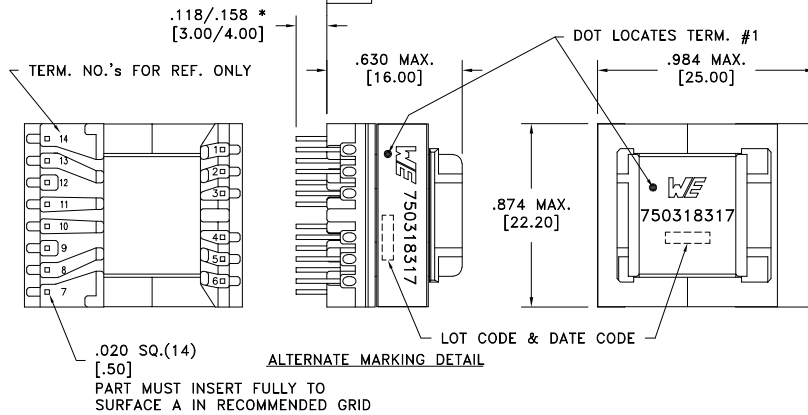
GENERAL SPECIFICATIONS:

OPERATING TEMPERATURE RANGE: -40°C to +125°C including temp rise.

Designed to comply with the following requirements as defined by IEC61558-2-16 and EN61558-2-16:

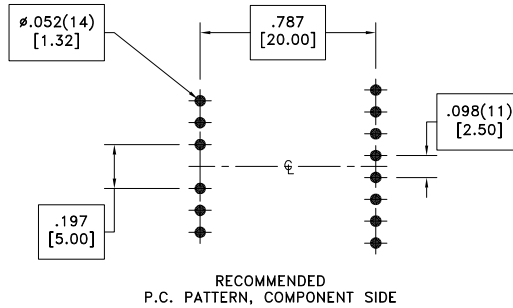
- Reinforced insulation for a primary circuit at a working voltage of 265Vrms, 425Vpeak (operating frequency of <1MHz), Pollution Degree 2.

* DIMENSION MAY BE EXCEEDED WITH SOLDER ONLY



Customer to tie terminals 3+4 and 10+11 on PC board.

Application of the transformer allows for the leadwires between terminals 10&11 to solder bridge.



RECOMMENDED P.C. PATTERN, COMPONENT SIDE

Wire insulation & RoHS status not affected by wire color.
Wire insulation color may vary depending on availability.

REV.	DATE	Packaging Specifications Method: Tray PKG-0736 www.we-online.com/midcom		Tolerances unless otherwise specified: Angles: ±1° Fractions: ±1/64 Decimals: ±.005 [.13] Footprint: ±.001 [.03]	DRAWING TITLE TRANSFORMER	PART NO. 750318317
6A	9/21	SEE REVISION SHEET FOR REVISION LEVEL		This drawing is dual dimensioned. Dimensions in brackets are in millimeters.	eiSos p/n: 750318317	SPECIFICATION SHEET 1 OF 1