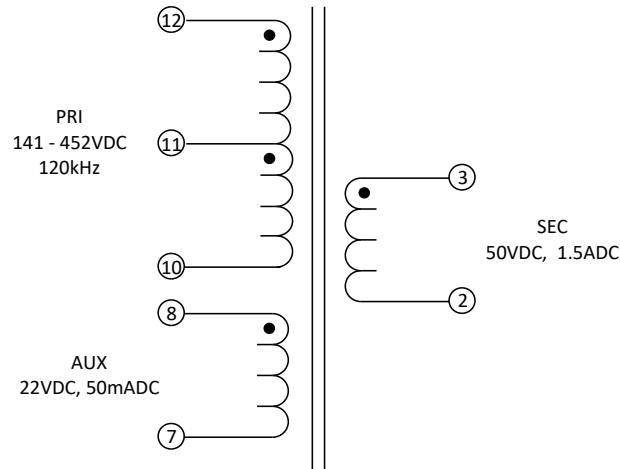
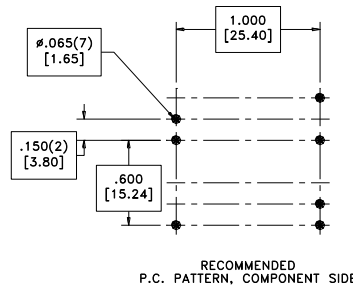
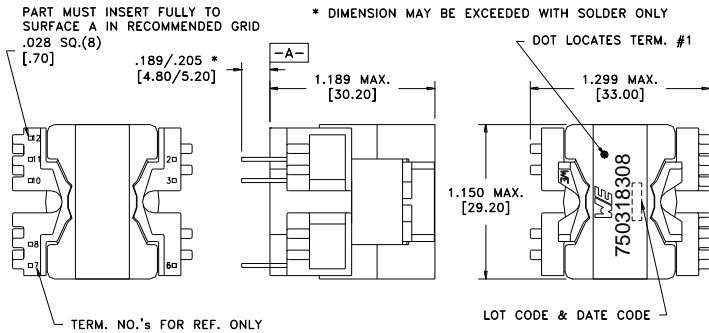


CUSTOMER TERMINAL	RoHS	LEAD(Pb)--FREE
Sn 96%, Ag 4%	Yes	Yes

more than you expect



ELECTRICAL SPECIFICATIONS @ 25° C unless otherwise noted:

PARAMETER	TEST CONDITIONS	VALUE
D.C. RESISTANCE	12-10 @20°C	0.080 ohms ±20%
D.C. RESISTANCE	8-7 @20°C	0.095 ohms ±20%
D.C. RESISTANCE	3-2 @20°C	0.032 ohms ±20%
INDUCTANCE	12-10 10kHz, 250mV, Ls	118.0µH ±10%
SATURATION CURRENT	12-10 20% rolloff from initial	6.3A
LEAKAGE INDUCTANCE	12-10 tie(7+8,2+3),100kHz, 100mV, Ls	2µH max.
DIELECTRIC	12-3 tie(8+10), 4500VAC, 1 second	4300VAC, 1 minute
DIELECTRIC	12-8 625VAC, 1 second	500VAC, 1 minute
TURNS RATIO	(12-10):(8-7)	4.25:1, ±2%
TURNS RATIO	(12-10):(3-2)	1.89:1, ±2%

GENERAL SPECIFICATIONS:

OPERATING TEMPERATURE RANGE: -40°C to +125°C including temp rise.

Designed to comply with the following requirements as defined by IEC61558-2-16, and EN61558-2-16:

- Reinforced insulation for a primary circuit at a working voltage of 320Vrms, 450Vpeak (operating frequency of <1MHz), Pollution Degree 2.

Wire insulation & RoHS status not affected by wire color. Wire insulation color may vary depending on availability.

DFM	Packaging Specifications	 CONVENTION PLACEMENT	Tolerances unless otherwise specified: Angles: ±1° Decimals: ±.005 [.13] Fractions: ±1/64 Footprint: ±.001 [.03]	DRAWING TITLE TRANSFORMER	PART NO.
DATE	Method: Tray		This drawing is dual dimensioned. Dimensions in brackets are in millimeters.	750318308	SPECIFICATION SHEET 1 OF 1
ENG	PKG-0239				
REV.	02				
DATE	6/19/2019	www.we-online.com/midcom			