

CUSTOMER TERMINAL	RoHS	LEAD(Pb)--FREE
Sn 96%, Ag 4%	Yes	Yes

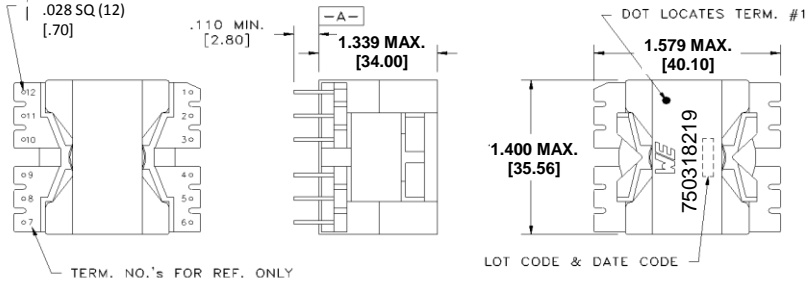
more than you expect



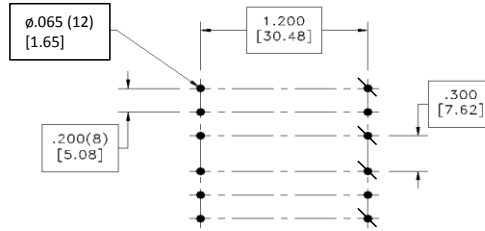
ELECTRICAL SPECIFICATIONS @ 25° C unless otherwise noted:

PARAMETER	TEST CONDITIONS	VALUE
D.C. RESISTANCE	1-3 @20°C	0.486 ohms ±10%
D.C. RESISTANCE	4-5 @20°C	0.100 ohms ±10%
D.C. RESISTANCE	11-8 @20°C	0.012 ohms ±20%
INDUCTANCE	1-3 10kHz, 100mV, Ls	1.10mH ±10%
SATURATION CURRENT	1-3 20% rolloff from initial	2.5A
LEAKAGE INDUCTANCE	1-3 tie(4+5, 8+11), 100kHz, 100mV, Ls	10µH typ., 20µH max.
DIELECTRIC	1-11 tie(3+4), 5500VAC, 1 second	5500VAC, 1 minute
DIELECTRIC	1-5 625VAC, 1 second	
TURNS RATIO	(2-3):(1-2)	2:1, ±1%
TURNS RATIO	(1-3):(11-8)	9:1, ±1%
TURNS RATIO	(1-3):(4-5)	9:1, ±1%

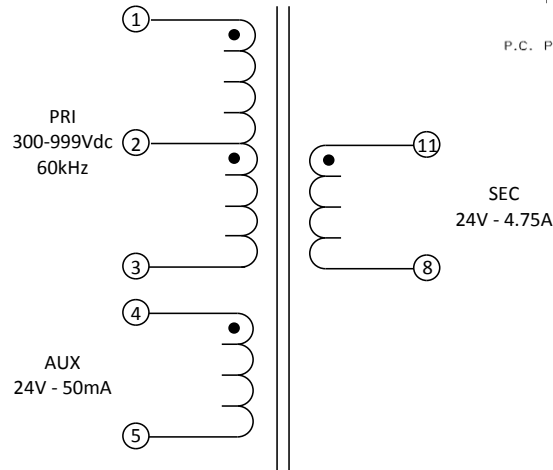
PART MUST INSERT FULLY TO SURFACE A IN RECOMMENDED GRID



Update views at release for 070-6957 with terminals 7, 9, 10, and 12 removed. JLV 1/28/19



RECOMMENDED P.C. PATTERN, COMPONENT SIDE



GENERAL SPECIFICATIONS:

OPERATING TEMPERATURE RANGE: -40°C to +125°C including temp rise.

Designed to comply with the following requirements as defined by IEC61558-2-16, and EN61558-2-16, Amendment 1:

- Reinforced insulation for a primary circuit at a working voltage of 999Vrms, 1500Vpeak, Pollution Degree 2 (operating frequency of <1MHz).

Wire insulation & RoHS status not affected by wire color. Wire insulation color may vary depending on availability.

DFM	SP	Packaging Specifications	 CONVENTION PLACEMENT	Tolerances unless otherwise specified: Angles: ±1° Decimals: ±.005 [.13] Fractions: ±1/64 Footprint: ±.001 [.03]	DRAWING TITLE TRANSFORMER	PART NO. 750318219
DATE	1/29/2019	Method: Tray		This drawing is dual dimensioned. Dimensions in brackets are in millimeters.		
ENG	JLV	PKG-0239				
REV.	00					
DATE	3/12/2019	www.we-online.com/midcom				