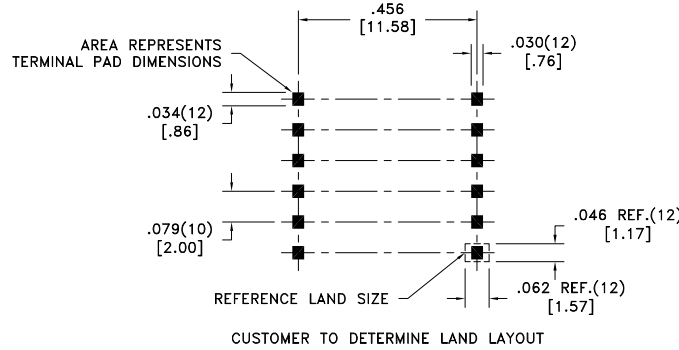
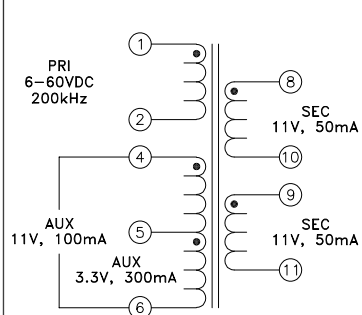
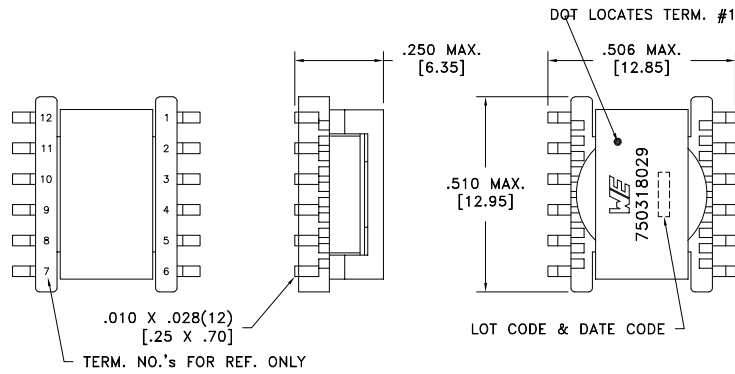


CUSTOMER TERMINAL	RoHS	LEAD(Pb)-FREE
Sn96%, Ag4%	Yes	Yes



ELECTRICAL SPECIFICATIONS @ 25°C unless otherwise noted:

PARAMETER	TEST CONDITIONS	VALUE
D.C. RESISTANCE	1-2 @20°C	0.028 ohms ±20%
D.C. RESISTANCE	4-6 @20°C	0.095 ohms ±10%
D.C. RESISTANCE	5-6 @20°C	0.024 ohms ±20%
D.C. RESISTANCE	8-10 @20°C	0.070 ohms ±20%
D.C. RESISTANCE	9-11 @20°C	0.070 ohms ±20%
INDUCTANCE	1-2 10kHz, 100mVAC, Ls	10.00uH ±10%
SATURATION CURRENT	1-2 20% rolloff from initial	1.9A
LEAKAGE INDUCTANCE	1-2 tie(8+9+10+11), 100kHz, 10mVAC, Ls	250nH max.
DIELECTRIC	1-11 tie(2+4, 8+9), 1250VAC, 1 second	1000VAC, 1 minute
TURNS RATIO	(1-2):(4-6)	1:1
TURNS RATIO	(1-2):(5-6)	3:1
TURNS RATIO	(1-2):(8-10)	1:1
TURNS RATIO	(1-2):(9-11)	1:1



GENERAL SPECIFICATIONS:

OPERATING TEMPERATURE RANGE: -40°C to +125°C including temp rise.

Designed to comply with the following requirements as defined by IEC60950-1, EN60950-1, UL60950-1/CSA60950-1 and AS/NZS60950.1:

- Functional insulation for a secondary circuit at a working voltage of 265Vrms, 400Vpeak, Overvoltage Category II, Pollution Degree 2.
- Verified by the electric strength test as defined in Clause 5.3.4.

Wire insulation & RoHS status not affected by wire color.  
Wire insulation color may vary depending on availability.

REV.	DATE	Packaging Specifications Method: <b>Tape &amp; Reel</b> PKG-0757 www.we-online.com/midcom		Tolerances unless otherwise specified: Angles: ±1°      Decimals: ±.005 [.13] Fractions: ±1/64      Footprint: ±.005 [.13]	DRAWING TITLE <b>TRANSFORMER</b>	PART NO. <b>750318029</b>
6A	6/21	SEE REVISION SHEET FOR REVISION LEVEL		This drawing is dual dimensioned. Dimensions in brackets are in millimeters.	eiSos p/n: 750318029	SPECIFICATION SHEET 1 OF 1