

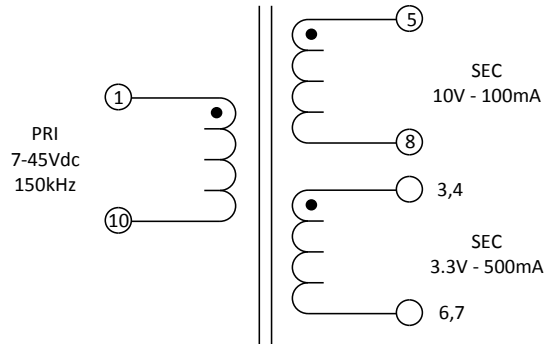
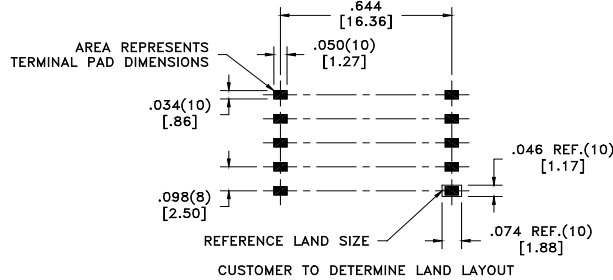
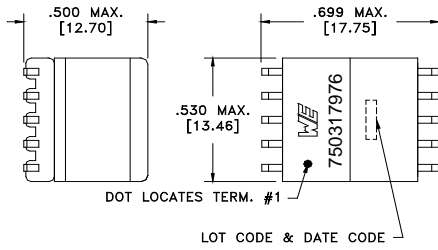
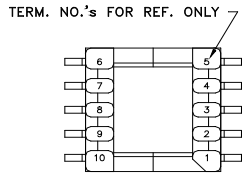
CUSTOMER TERMINAL	RoHS	LEAD(Pb)--FREE
Sn 96%, Ag 4%	Yes	Yes

more than you expect



ELECTRICAL SPECIFICATIONS @ 25° C unless otherwise noted:

PARAMETER	TEST CONDITIONS	VALUE
D.C. RESISTANCE	1-10 @20°C	0.053 ohms ±10%
D.C. RESISTANCE	5-8 @20°C	0.100 ohms ±10%
D.C. RESISTANCE	3-7 tie(3+4, 6+7), @20°C	0.024 ohms ±20%
INDUCTANCE	1-10 10kHz, 100mV, Ls	50µH ±10%
SATURATION CURRENT	1-10 20% rolloff from initial	1.9A
LEAKAGE INDUCTANCE	1-10 tie(3+4+5+6+7+8),100kHz, 50mV, Ls	350nH typ., 700nH max.
DIELECTRIC	1-5 tie(6+7+8), 625VAC, 1 second	
DIELECTRIC	5-6 tie(3+4), 625VAC, 1 second	
TURNS RATIO	(1-10):(5-8)	1:1, ±1%
TURNS RATIO	(1-10):(3-7), tie(3+4, 6+7)	2.43:1, ±1%



Application of the transformer allows for the leadwires between terminals 3&4 and 6&7 to solder bridge.

Customer to tie terminals 3+4 and 6+7 on PC board.

GENERAL SPECIFICATIONS:

OPERATING TEMPERATURE RANGE: -40°C to +125°C including temp rise.

- Functional insulation only

Product contains reportable levels of REACH SVHC component Dechlorane Plus™ found in AM113 plastic

Wire insulation & RoHS status not affected by wire color. Wire insulation color may vary depending on availability.

DFM	SP	Packaging Specifications		Tolerances unless otherwise specified: Angles: ±1° Decimals: ±.005 [.13] Fractions: ±1/64 Footprint: ± .005 [.13]	DRAWING TITLE TRANSFORMER	PART NO. 750317976
DATE	9/18/2018	Method: Tape & Reel		This drawing is dual dimensioned. Dimensions in brackets are in millimeters.		
ENG	JLV	PKG-0499				
REV.	01					
DATE	12/6/2018	www.we-online.com/midcom				SPECIFICATION SHEET 1 OF 1