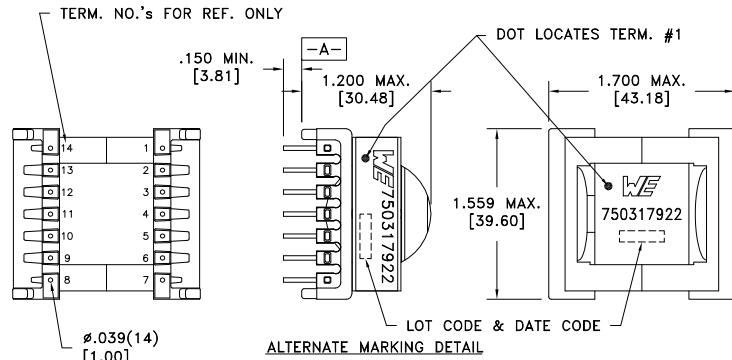


CUSTOMER TERMINAL	RoHS	LEAD(Pb)-FREE
Sn96%, Ag4%	Yes	Yes

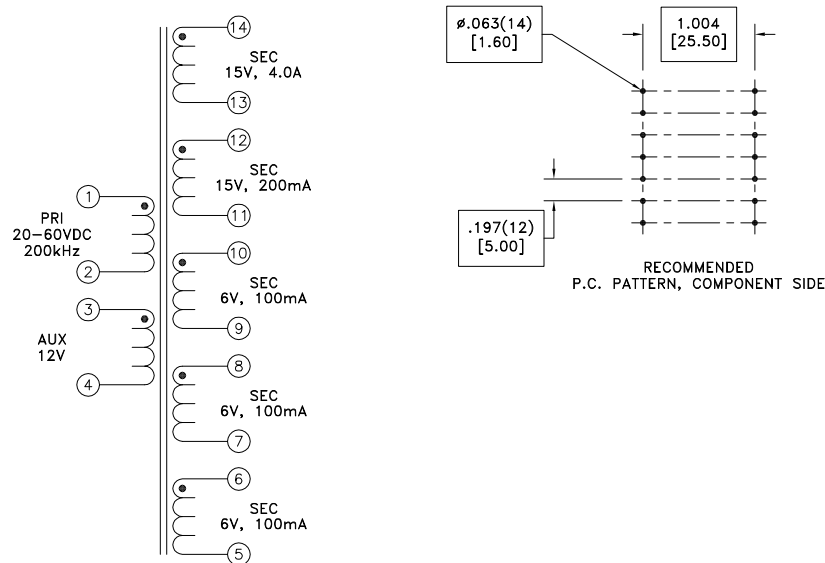


ELECTRICAL SPECIFICATIONS @ 25°C unless otherwise noted:

PARAMETER	TEST CONDITIONS	VALUE
D.C. RESISTANCE	1-2 @20°C	0.012 ohms max.
D.C. RESISTANCE	3-4 @20°C	0.017 ohms ±30%
D.C. RESISTANCE	14-13 @20°C	0.009 ohms max.
D.C. RESISTANCE	12-11 @20°C	0.022 ohms ±30%
D.C. RESISTANCE	10-9 @20°C	0.014 ohms max.
D.C. RESISTANCE	8-7 @20°C	0.014 ohms max.
D.C. RESISTANCE	6-5 @20°C	0.014 ohms max.
INDUCTANCE	1-2 10kHz, 50mVAC, Ls	6.00uH ±10%
SATURATION CURRENT	1-2 20% rolloff from initial	50A
LEAKAGE INDUCTANCE	1-2 tie(3+4+5+6+7+8+9+10+11+12+13+14), 100kHz, 50mVAC, Ls	200nH typ., 620nH max.
DIELECTRIC	1-14 tie(2+3, 6+7, 8+9+11+13), 1875VAC, 1 second	1500VAC, 1 minute
DIELECTRIC	1-4 625VAC, 1 second	-
DIELECTRIC	6-14 tie(6+7, 10+13+14), 625VAC, 1 second	-
DIELECTRIC	6-7 tie(5+12+13, 8+9), 625VAC, 1 second	-
URNS RATIO	(1-2):(3-4)	4:1, ±1%
URNS RATIO	(1-2):(14-13)	2.67:1, ±1%
URNS RATIO	(1-2):(12-11)	2.67:1, ±1%
URNS RATIO	(1-2):(10-9)	8:1, ±1%
URNS RATIO	(1-2):(8-7)	8:1, ±1%
URNS RATIO	(1-2):(6-5)	8:1, ±1%



PART MUST INSERT FULLY TO SURFACE A IN RECOMMENDED GRID



GENERAL SPECIFICATIONS:

OPERATING TEMPERATURE RANGE: -40°C to +125°C including temp rise.

Functional insulation only.

Wire insulation & RoHS status not affected by wire color.
Wire insulation color may vary depending on availability.

REV.	DATE	Packaging Specifications Method: Tray PKG-0904 www.we-online.com/midcom		Tolerances unless otherwise specified: Angles: ±1° Fractions: ±1/64 Decimals: ±.005 [.13] Footprint: ±.001 [.03]	DRAWING TITLE TRANSFORMER	PART NO. 750317922
6A	5/19	SEE REVISION SHEET FOR REVISION LEVEL	CONVENTION PLACEMENT	This drawing is dual dimensioned. Dimensions in brackets are in millimeters.	eiSos p/n: 750317922	SPECIFICATION SHEET 1 OF 1