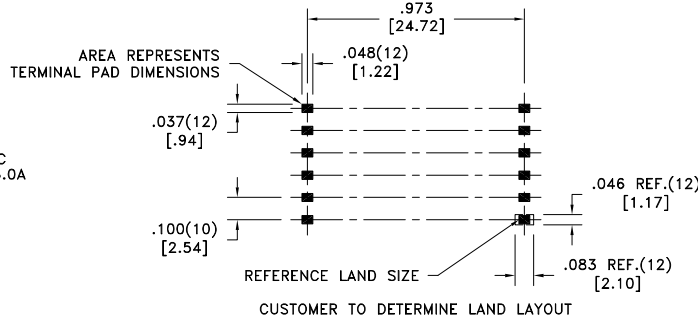
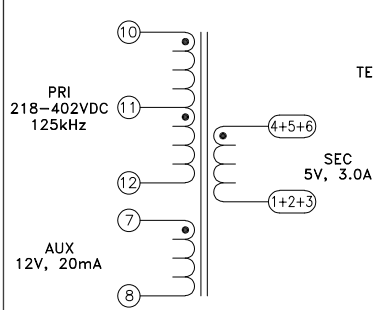
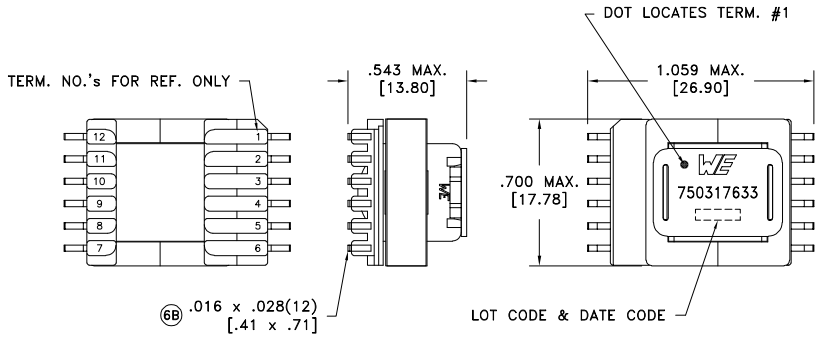


CUSTOMER TERMINAL	RoHS	LEAD(Pb)-FREE
Sn96%, Ag4%	Yes	Yes



Customer to tie terminals 1+2+3 and 4+5+6 on PC board.

Application of the transformer allows for the leadwires between terminals 1&2&3 and 4&5&6 to solder bridge.

Wire insulation & RoHS status not affected by wire color.  
Wire insulation color may vary depending on availability.

ELECTRICAL SPECIFICATIONS @ 25°C unless otherwise noted:

PARAMETER	TEST CONDITIONS	VALUE
D.C. RESISTANCE	1-6 tie(1+2+3, 4+5+6), @20°C	0.015 ohms max.
D.C. RESISTANCE	7-8 @20°C	0.445 ohms ±10%
D.C. RESISTANCE	10-12 @20°C	2.780 ohms ±10%
INDUCTANCE	10-12 10kHz, 100mVAC, Ls	1.00mH ±10%
SATURATION CURRENT	10-12 20% rolloff from initial	1.0A
LEAKAGE INDUCTANCE	10-12 tie(7+8, 1+2+3+4+5+6), 100kHz, 100mVAC, Ls	14uH typ., 28uH max.
DIELECTRIC	10-6 tie(7+12, 1+2+3), 4200VAC, 1 second	4200VAC, 1 minute
DIELECTRIC	10-7 625VAC, 1 second	-
TURNS RATIO	(10-12):(4-1), tie(1+2+3, 4+5+6)	19.57:1, ±1%
TURNS RATIO	(10-12):(7-8)	7.61:1, ±1%
TURNS RATIO	(10-11):(11-12)	1.01:1, ±1%

GENERAL SPECIFICATIONS:

OPERATING TEMPERATURE RANGE: -40°C to +125°C including temp rise.

Designed to comply with the following requirements as defined by IEC61558-2-16 and EN61558-2-16:

- Reinforced insulation for a primary circuit at a working voltage of 290Vrms, 410Vpeak (operating frequency of <1MHz).

REV.	DATE	Packaging Specifications Method: Tape & Reel PKG-0799 www.we-online.com/midcom		Tolerances unless otherwise specified: Angles: ±1° Fractions: ±1/64 Decimals: ±.005 [.13] Footprint: ±.005 [.13]	DRAWING TITLE <b>TRANSFORMER</b>	PART NO. <b>750317633</b>
6B	12/22			This drawing is dual dimensioned. Dimensions in brackets are in millimeters.	eiSos p/n: 750317633	
6A	5/19	SEE REVISION SHEET FOR REVISION LEVEL				SPECIFICATION SHEET 1 OF 1