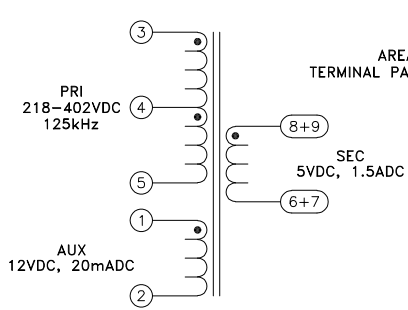
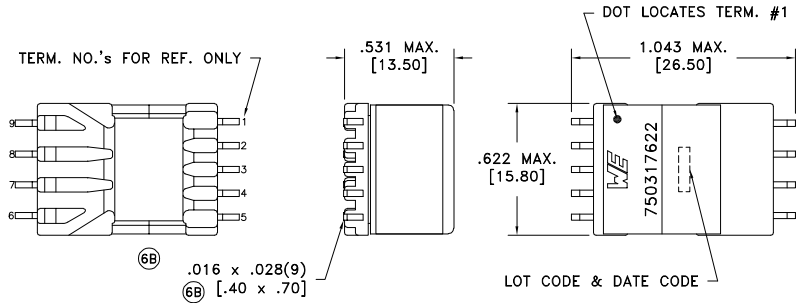
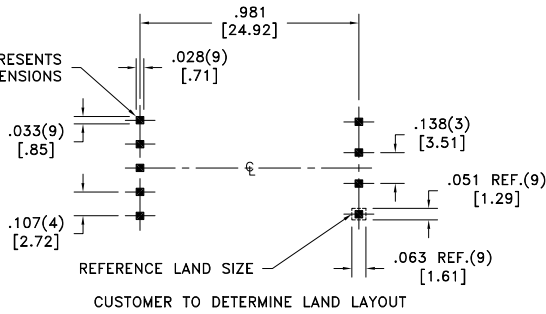


CUSTOMER TERMINAL	RoHS	LEAD(Pb)-FREE
Sn96%, Ag4%	Yes	Yes



Customer to tie terminals 6+7 and 8+9 on PC board.

Application of the transformer allows for the leadwires between terminals 6&7 and 8&9 to solder bridge.



ELECTRICAL SPECIFICATIONS @ 25°C unless otherwise noted:

PARAMETER	TEST CONDITIONS	VALUE
D.C. RESISTANCE	3-5 @20°C	4.10 ohms ±10%
D.C. RESISTANCE	1-2 @20°C	0.655 ohms ±10%
D.C. RESISTANCE	9-6 tie(6+7, 8+9), @20°C	0.015 ohms max.
INDUCTANCE	3-5 100kHz, 100mVAC, Ls	2.0mH ±10%
SATURATION CURRENT	3-5 20% rolloff from initial	500mA
LEAKAGE INDUCTANCE	3-5 tie(1+2, 6+7+8+9), 100kHz, 100mVAC, Ls	17uH typ., 30uH max.
DIELECTRIC	1-9 tie(2+3, 6+7), 4200VAC, 1 second	4200VAC, 1 minute
DIELECTRIC	1-3 625VAC, 1 second	500VAC, 1 minute
URNS RATIO	(3-5):(1-2)	7.87:1, ±2%
URNS RATIO	(3-5):(9-6), tie(6+7, 8+9)	19.67:1, ±2%
URNS RATIO	(3-4):(4-5)	1:1, ±2%

GENERAL SPECIFICATIONS:

OPERATING TEMPERATURE RANGE: -40°C to +125°C including temp rise.

Designed to comply with the following requirements as defined by IEC61558-2-16 and EN61558-2-16, Amendment 1:

- Reinforced insulation for a primary circuit at a working voltage of 290Vrms, 410Vpeak (operating frequency of <1MHz).

Wire insulation & RoHS status not affected by wire color.
Wire insulation color may vary depending on availability.

REV.	DATE	Packaging Specifications Method: Tape & Reel PKG-1057 www.we-online.com/midcom		Tolerances unless otherwise specified: Angles: ±1° Fractions: ±1/64 Decimals: ±.005 [.13] Footprint: ±.005 [.13]	DRAWING TITLE TRANSFORMER	PART NO. 750317622
6B	4/22			This drawing is dual dimensioned. Dimensions in brackets are in millimeters.	eiSos p/n: 750317622	
6A	4/19	SEE REVISION SHEET FOR REVISION LEVEL				SPECIFICATION SHEET 1 OF 1