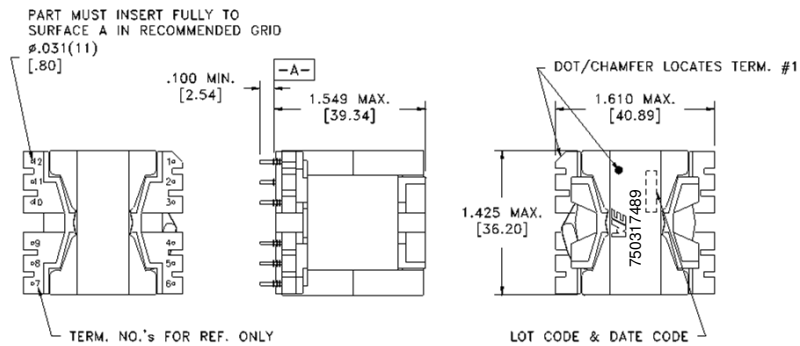


CUSTOMER TERMINAL	RoHS	LEAD(Pb)--FREE
Sn 96%, Ag 4%	Yes	Yes

more than you expect

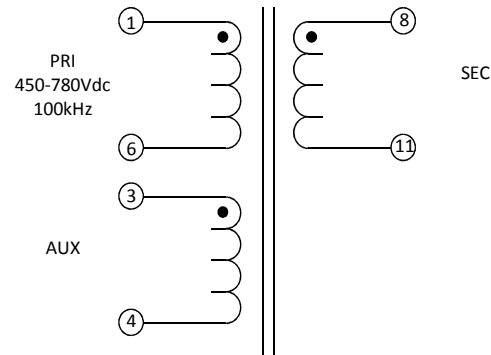
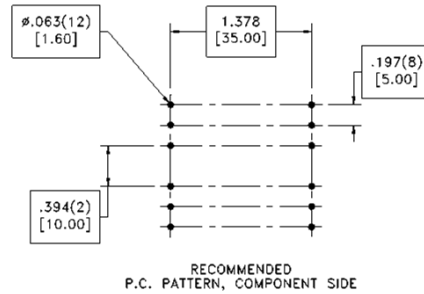


ELECTRICAL SPECIFICATIONS @ 25° C unless otherwise noted:



PARAMETER	TEST CONDITIONS	VALUE
D.C. RESISTANCE	1-6 @20°C	0.064 ohms ±20%
D.C. RESISTANCE	3-4 @20°C	0.010 ohms max.
D.C. RESISTANCE	8-11 @20°C	0.081 ohms ±20%
INDUCTANCE	1-6 10kHz, 100mV, Ls	160.00µH ±10%
INDUCTANCE	8-11 10kHz, 100mV, Ls	160.00µH ±10%
SATURATION CURRENT	1-11 tie(6+8), 20% rolloff from initial	6.25A
DIELECTRIC	1-11 tie(1+3), 1875VAC, 1 second	1500VAC, 1 minute
TURNS RATIO	(1-6):(3-4)	16:1, ±1%
TURNS RATIO	(1-6):(8-11)	1:1, ±1%

Update marking to have insulation system at release. CHC 5/16/18



GENERAL SPECIFICATIONS:

OPERATING TEMPERATURE RANGE: -40°C to +125°C including temp rise.

Safety standard undefined

UL Recognized Insulation system M5-155(F), E209189

Wire insulation & RoHS status not affected by wire color. Wire insulation color may vary depending on availability.

DFM	SP	Packaging Specifications		Tolerances unless otherwise specified: Angles: ±1° Decimals: ±.005 [.13] Fractions: ±1/64 Footprint: ± .001 [.03]	DRAWING TITLE INDUCTOR	PART NO. 750317489
DATE	2/12/2018	Method: Tray				
ENG	CHC	PKG-0632				
REV.	01					
DATE	5/25/2018	www.we-online.com/midcom				