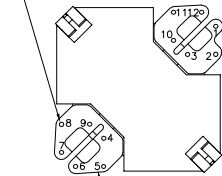


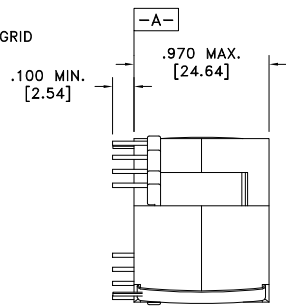
CUSTOMER TERMINAL	RoHS	LEAD(Pb)-FREE
Sn96%, Ag4%	Yes	Yes



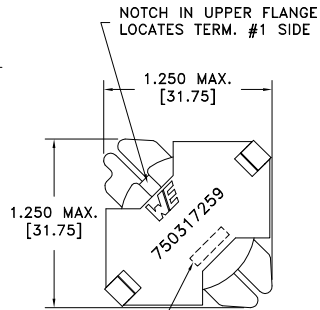
PART MUST INSERT FULLY TO SURFACE A IN RECOMMENDED GRID
 ϕ .031(12)
 [.80]



TERM. NO.'s FOR REF. ONLY



LOT CODE & DATE CODE



ELECTRICAL SPECIFICATIONS @ 25°C unless otherwise noted:

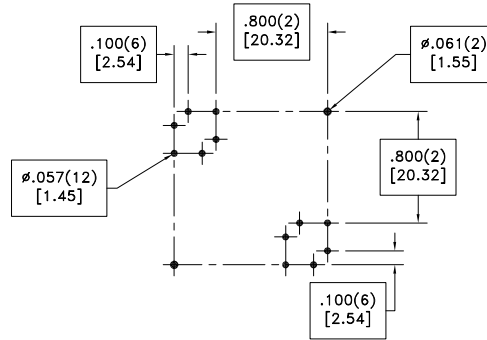
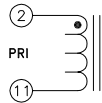
PARAMETER	TEST CONDITIONS	VALUE
D.C. RESISTANCE	2-11 @20°C	0.091 ohms ±10%
INDUCTANCE	2-11 10kHz, 100mVAC, Ls	120uH ±10%
SATURATION CURRENT	2-11 20% rolloff from initial	20A

GENERAL SPECIFICATIONS:

OPERATING TEMPERATURE RANGE: -40°C to +125°C including temp rise.

Safety standard undefined.

Functional insulation only.



RECOMMENDED P.C. PATTERN, COMPONENT SIDE

Wire insulation & RoHS status not affected by wire color.
 Wire insulation color may vary depending on availability.

REV.	DATE	Packaging Specifications Method: Tray PKG-1160 www.we-online.com/midcom		Tolerances unless otherwise specified: Angles: ±1° Fractions: ±1/64 Decimals: ±.005 [.13] Footprint: ±.001 [.03]	DRAWING TITLE INDUCTOR	PART NO. 750317259
6A	1/19	SEE REVISION SHEET FOR REVISION LEVEL	CONVENTION PLACEMENT	This drawing is dual dimensioned. Dimensions in brackets are in millimeters.	eiSos p/n: 750317259	SPECIFICATION SHEET 1 OF 1