

CUSTOMER TERMINAL	RoHS	LEAD(Pb)-FREE
Sn96%, Ag4%	Yes	Yes



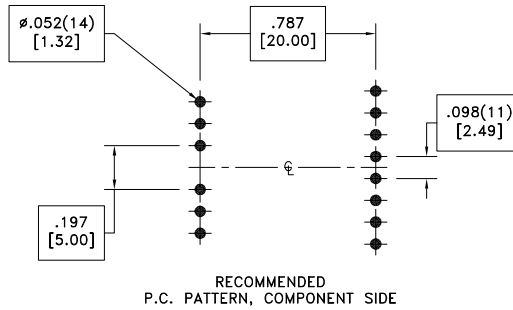
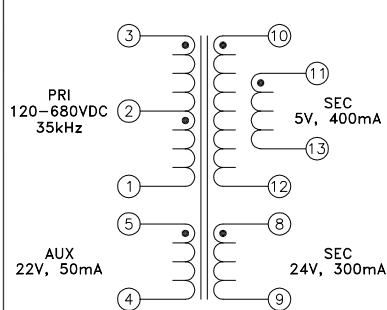
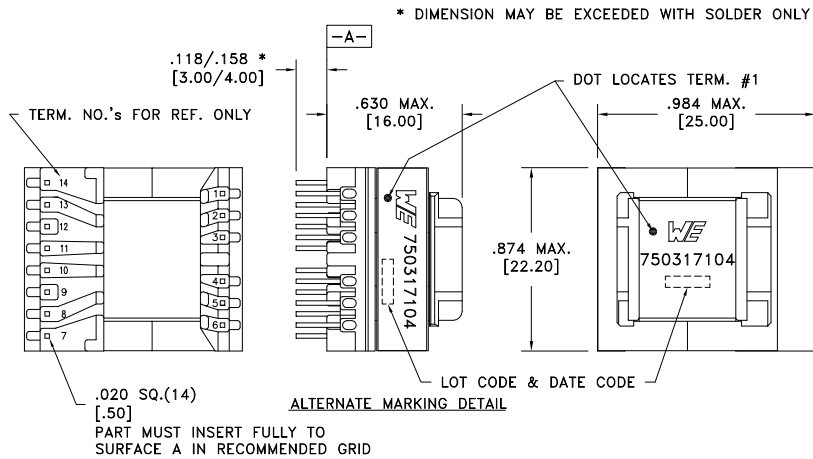
ELECTRICAL SPECIFICATIONS @ 25°C unless otherwise noted:

PARAMETER	TEST CONDITIONS	VALUE
D.C. RESISTANCE	3-1 @20°C	2.47 ohms ±10%
D.C. RESISTANCE	5-4 @20°C	0.615 ohms ±10%
D.C. RESISTANCE	8-9 @20°C	0.250 ohms ±10%
D.C. RESISTANCE	10-12 tie(10+11, 12+13), @20°C	0.034 ohms ±20%
INDUCTANCE	3-1 10kHz, 100mVAC, Ls	1.50mH ±10%
SATURATION CURRENT	3-1 20% rolloff from initial	900mA
LEAKAGE INDUCTANCE	3-1 tie(8+9+10+11+12+13), 100kHz, 100mVAC, Ls	16uH typ., 32uH max.
DIELECTRIC	1-13 tie(3+4, 9+10+11), 1875VAC, 1 second	1500VAC, 1 minute
DIELECTRIC	1-5 625VAC, 1 second	-
DIELECTRIC	8-13 tie(10+11), 625VAC, 1 second	-
URNS RATIO	(3-2):(2-1)	1:1, ±1%
URNS RATIO	(3-1):(5-4)	3.33:1, ±1%
URNS RATIO	(3-1):(8-9)	3:1, ±1%
URNS RATIO	(3-1):(10-12), tie(10+11, 12+13)	13.33:1, ±1%

GENERAL SPECIFICATIONS:

OPERATING TEMPERATURE RANGE: -40°C to +125°C including temp rise.

Functional insulation only.



Customer to tie terminals 10+11 and 12+13 on PC board.

Application of the transformer allows for the leadwires between terminals 10&11 and 12&13 to solder bridge.

Wire insulation & RoHS status not affected by wire color.
Wire insulation color may vary depending on availability.

REV.	DATE	Packaging Specifications Method: Tray PKG-0736 www.we-online.com/midcom		Tolerances unless otherwise specified: Angles: ±1° Fractions: ±1/64 Decimals: ±.005 [.13] Footprint: ±.001 [.03]	DRAWING TITLE TRANSFORMER	PART NO. 750317104
6A	5/19	SEE REVISION SHEET FOR REVISION LEVEL		This drawing is dual dimensioned. Dimensions in brackets are in millimeters.	eiSos p/n: 750317104	SPECIFICATION SHEET 1 OF 1