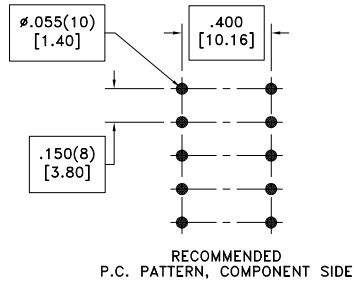
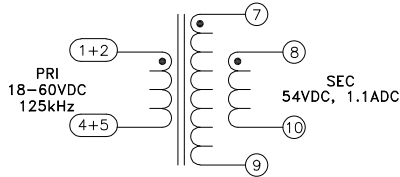
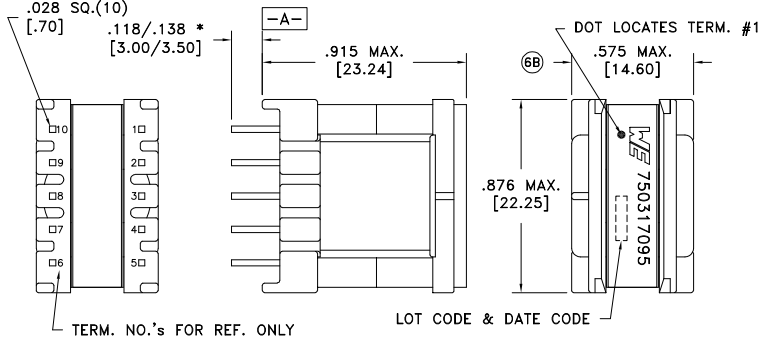


CUSTOMER TERMINAL	RoHS	LEAD(Pb)-FREE
Sn96%, Ag4%	Yes	Yes



* DIMENSION MAY BE EXCEEDED WITH SOLDER ONLY

PART MUST INSERT FULLY TO SURFACE A IN RECOMMENDED GRID .028 SQ.(10)



Customer to tie terminals 1+2, 4+5, 7+8 and 9+10 on PC board.

Application of the transformer allows for the leadwires between terminals 1&2, 4&5, 7&8 and 9&10 to solder bridge.

ELECTRICAL SPECIFICATIONS @ 25°C unless otherwise noted:

PARAMETER	TEST CONDITIONS	VALUE
D.C. RESISTANCE	1-5 tie(1+2, 4+5), @20°C	0.013 ohms ±20%
D.C. RESISTANCE	7-10 tie(7+8, 9+10), @20°C	0.039 ohms ±20%
INDUCTANCE	1-5 tie(1+2, 4+5), 100kHz, 100mVAC, Ls	6.80uH ±10%
SATURATION CURRENT	1-5 tie(1+2, 4+5), 20% rolloff from initial	20A
LEAKAGE INDUCTANCE	1-5 tie(1+2, 4+5, 7+8+9+10), 100kHz, 100mVAC, Ls	110nH typ., 150nH max.
DIELECTRIC	1-7 tie(4+5, 9+10), 1875VAC, 1 second	1500VAC, 1 minute
URNS RATIO	(7-10):(1-5), tie(7+8, 9+10, 1+2, 4+5)	1.44:1, ±2%

GENERAL SPECIFICATIONS:

OPERATING TEMPERATURE RANGE: -40°C to +125°C including temp rise.

Designed to comply with the following requirements as defined by IEC60950-1, EN60950-1, UL60950-1/CSA60950-1 and AS/NZS60950.1:

- Functional insulation for a primary circuit at a working voltage of 265Vrms, 400Vpeak, Overvoltage Category II.

Wire insulation & RoHS status not affected by wire color.
Wire insulation color may vary depending on availability.

DETAILS SUBJECT TO CHANGE

REV.	DATE	Packaging Specifications Method: Tray PKG-0846 www.we-online.com/midcom		Tolerances unless otherwise specified: Angles: ±1° Fractions: ±1/64 Decimals: ±.005 [.13] Footprint: ±.001 [.03]	DRAWING TITLE TRANSFORMER	PART NO. 750317095
6B	3/23			This drawing is dual dimensioned. Dimensions in brackets are in millimeters.	eiSos p/n: 750317095	
6A	5/18	SEE REVISION SHEET FOR REVISION LEVEL				SPECIFICATION SHEET 1 OF 1