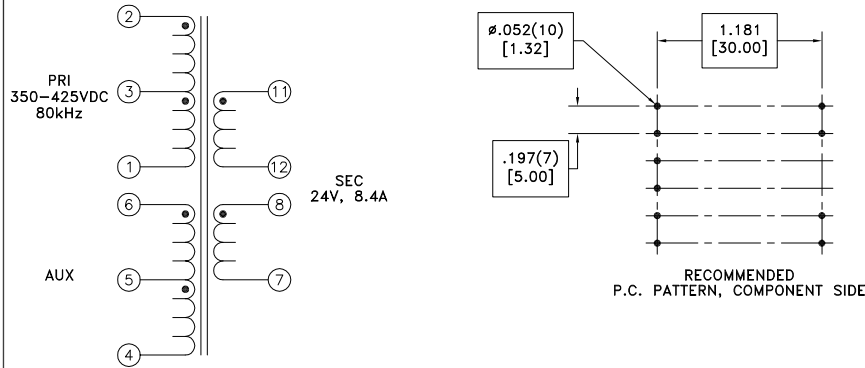
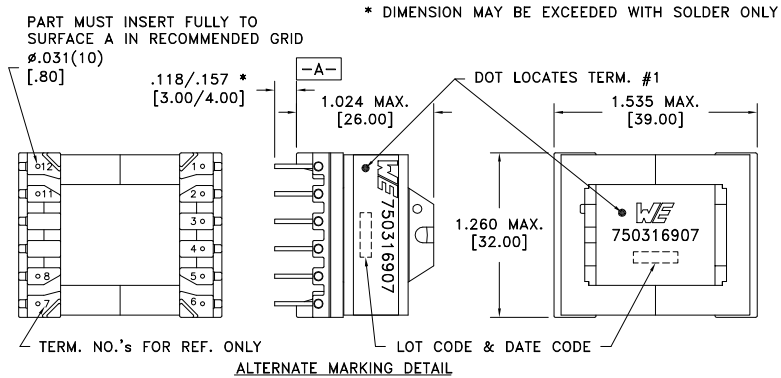


CUSTOMER TERMINAL	RoHS	LEAD(Pb)-FREE
Sn96%, Ag4%	Yes	Yes



ELECTRICAL SPECIFICATIONS @ 25°C unless otherwise noted:

PARAMETER	TEST CONDITIONS	VALUE
D.C. RESISTANCE	1-2 @20°C	0.110 ohms ±10%
D.C. RESISTANCE	4-5 @20°C	0.200 ohms ±20%
D.C. RESISTANCE	5-6 @20°C	0.200 ohms ±20%
D.C. RESISTANCE	7-8 @20°C	0.010 ohms max.
D.C. RESISTANCE	11-12 @20°C	0.010 ohms max.
INDUCTANCE	1-2 10kHz, 100mVAC, Ls	1.00mH ±10%
SATURATION CURRENT	1-2 20% rolloff from initial	850mA
LEAKAGE INDUCTANCE	1-2 tie(4+5+6, 7+8+11+12), 100kHz, 100mVAC, Ls	3uH typ., 6uH max.
DIELECTRIC	1-12 tie(3+4, 8+11), 3750VAC, 1 second	3000VAC, 1 minute
URNS RATIO	(2-1):(5-4)	6.67:1, ±1%
URNS RATIO	(2-1):(6-5)	6.67:1, ±1%
URNS RATIO	(2-1):(8-7)	8:1, ±1%
URNS RATIO	(2-1):(11-12)	8:1, ±1%

GENERAL SPECIFICATIONS:

OPERATING TEMPERATURE RANGE: -40°C to +125°C including temp rise.

Designed to comply with the following requirements as defined by IEC60950-1, EN60950-1, UL60950-1/CSA60950-1 and AS/NZS60950.1:  
 - Reinforced insulation for a primary circuit at a working voltage of 265Vrms, 500Vpeak, Overvoltage Category II.

Wire insulation & RoHS status not affected by wire color.  
 Wire insulation color may vary depending on availability.

REV.	DATE	Packaging Specifications Method: Tray PKG-0867 www.we-online.com/midcom		Tolerances unless otherwise specified: Angles: ±1° Fractions: ±1/64 Decimals: ±.005 [0.13] Footprint: ±.001 [0.03]	DRAWING TITLE <b>TRANSFORMER</b>	PART NO. <b>750316907</b>
6A	11/18	SEE REVISION SHEET FOR REVISION LEVEL	CONVENTION PLACEMENT	This drawing is dual dimensioned. Dimensions in brackets are in millimeters.	eiSos p/n: 750316907	SPECIFICATION SHEET 1 OF 1