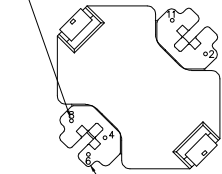


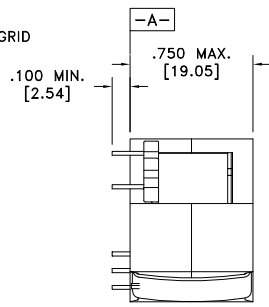
CUSTOMER TERMINAL	RoHS	LEAD(Pb)-FREE
Sn96%, Ag4%	Yes	Yes



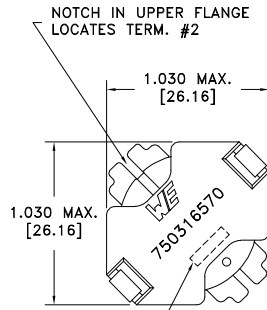
PART MUST INSERT FULLY TO SURFACE A IN RECOMMENDED GRID
 ϕ .024(5)
 [.60]



TERM. NO.'s FOR REF. ONLY



LOT CODE & DATE CODE



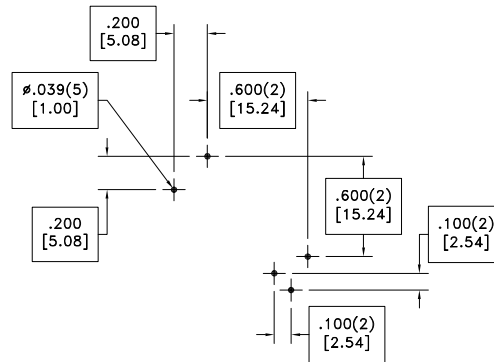
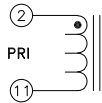
ELECTRICAL SPECIFICATIONS @ 25°C unless otherwise noted:

PARAMETER	TEST CONDITIONS	VALUE
D.C. RESISTANCE	2-11 @20°C	0.230 ohms ±10%
INDUCTANCE	2-11 100kHz, 100mVAC, Ls	200uH ±10%
INDUCTANCE	2-11 100kHz, 100mVAC, 6ADC, Ls	200uH ±10%
SATURATION CURRENT	2-11 20% rolloff from initial	9A
DIELECTRIC	2-Core 625VAC, 1 second	500VAC, 1 minute

GENERAL SPECIFICATIONS:

OPERATING TEMPERATURE RANGE: -40°C to +125°C including temp rise.

Safety standard undefined.



RECOMMENDED P.C. PATTERN, COMPONENT SIDE

Wire insulation & RoHS status not affected by wire color.
 Wire insulation color may vary depending on availability.

DETAILS SUBJECT TO CHANGE

REV.	DATE	Packaging Specifications Method: Tray PKG-1175 www.we-online.com/midcom		Tolerances unless otherwise specified: Angles: ±1° Fractions: ±1/64 Decimals: ±.005 [.13] Footprint: ±.001 [.03]	DRAWING TITLE INDUCTOR	PART NO. 750316570
6B	5/23		CONVENTION PLACEMENT	This drawing is dual dimensioned. Dimensions in brackets are in millimeters.	eiSos p/n: 750316570	
6A	11/17	SEE REVISION SHEET FOR REVISION LEVEL				SPECIFICATION SHEET 1 OF 1