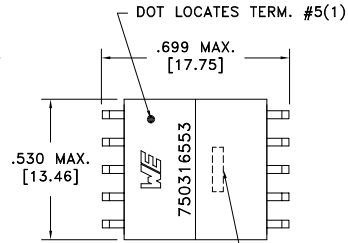
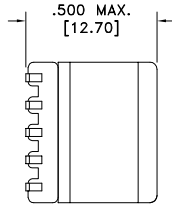
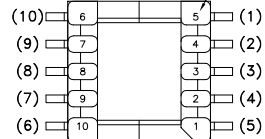


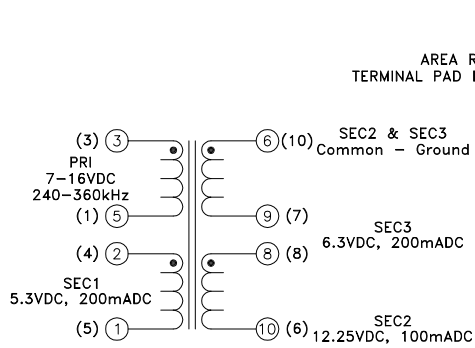
CUSTOMER TERMINAL	RoHS	LEAD(Pb)-FREE
Sn96%, Ag4%	Yes	Yes



TERM. NO.'s FOR REF. ONLY
CUSTOMER TERMINALS IN ()

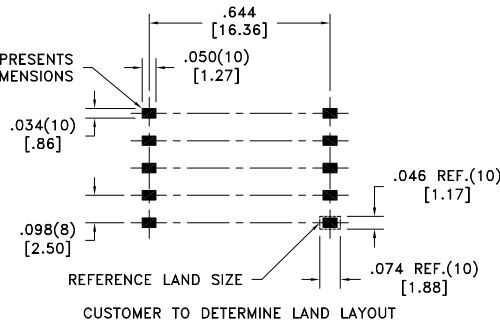


LOT CODE & DATE CODE



Customer to tie terminals
8+9 on PC board.

Application of the transformer allows
for the leadwires between terminals 8&9
to solder bridge.



ELECTRICAL SPECIFICATIONS @ 25°C unless otherwise noted:

PARAMETER	TEST CONDITIONS	VALUE
D.C. RESISTANCE	3-5 @20°C	0.065 ohms ±10%
D.C. RESISTANCE	2-1 @20°C	0.085 ohms ±10%
D.C. RESISTANCE	6-9 @20°C	0.090 ohms ±10%
D.C. RESISTANCE	8-10 @20°C	0.088 ohms ±10%
INDUCTANCE	3-5 100kHz, 100mVAC, Ls	52.0uH ±10%
INDUCTANCE	2-1 100kHz, 100mVAC, Ls	52.0uH ±10%
SATURATION CURRENT	3-5 20% rolloff from initial	1.7A
LEAKAGE INDUCTANCE	3-5 tie(6+8+9+10), 100kHz, 50mVAC, Ls	350nH max.
DIELECTRIC	3-6 tie(2+5, 8+9), 625VAC, 1 second	500VAC, 1 minute
URNS RATIO	(3-5):(2-1)	1:1, ±2%
URNS RATIO	(6-9):(3-5)	1.19:1, ±2%
URNS RATIO	(8-10):(3-5)	1.13:1, ±2%

GENERAL SPECIFICATIONS:

OPERATING TEMPERATURE RANGE: -40°C to +125°C including temp rise.

Safety standard undefined.

Wire insulation & RoHS status not affected by wire color.
Wire insulation color may vary depending on availability.

REV.	DATE	Packaging Specifications Method: Tape & Reel PKG-0499 www.we-online.com/midcom		Tolerances unless otherwise specified: Angles: ±1° Fractions: ±1/64 Decimals: ±.005 [.13] Footprint: ±.005 [.13]	DRAWING TITLE TRANSFORMER	PART NO. 750316553
6A	5/19	SEE REVISION SHEET FOR REVISION LEVEL		This drawing is dual dimensioned. Dimensions in brackets are in millimeters.	eiSos p/n: 750316553	SPECIFICATION SHEET 1 OF 1