

CUSTOMER TERMINAL	RoHS	LEAD(Pb)-FREE
Sn96%, Ag4%	Yes	Yes

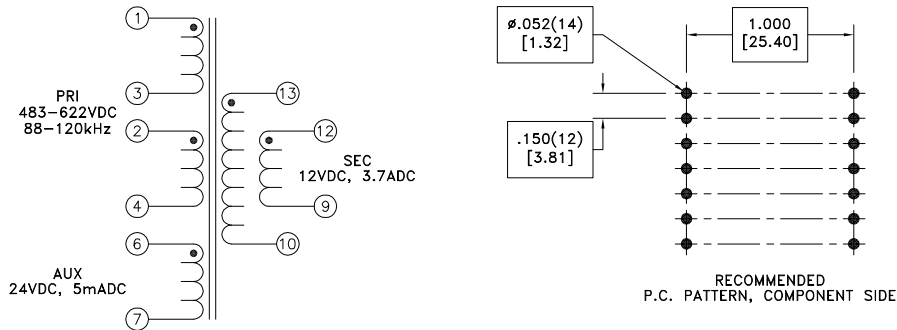
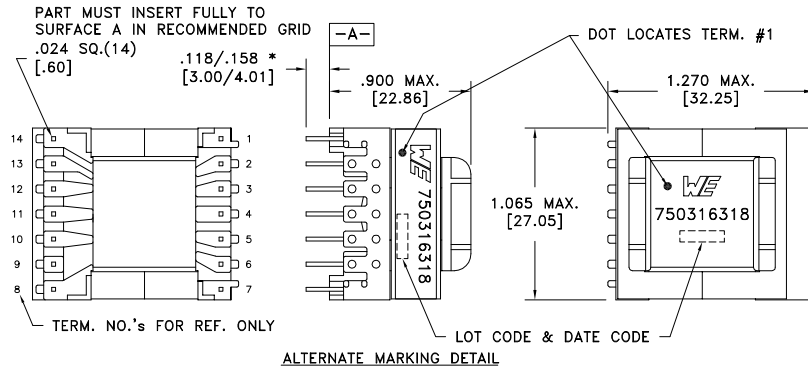
more than you expect



ELECTRICAL SPECIFICATIONS @ 25°C unless otherwise noted:

PARAMETER	TEST CONDITIONS	VALUE
D.C. RESISTANCE	1-4 tie(2+3), @20°C	1.62 ohms ±10%
D.C. RESISTANCE	6-7 @20°C	0.113 ohms ±10%
D.C. RESISTANCE	13-9 tie(9+10, 12+13), @20°C	0.013 ohms ±20%
INDUCTANCE	1-4 tie(2+3), 10kHz, 100mVAC, Ls	950uH ±10%
SATURATION CURRENT	1-4 tie(2+3), 20% rolloff from initial	1.5A
LEAKAGE INDUCTANCE	1-4 tie(2+3, 6+7, 9+10+12+13), 100kHz, 100mVAC, Ls	15uH max.
DIELECTRIC	1-13 tie(2+3, 4+6, 9+10), 4600VAC, 1 second	4600VAC, 1 minute
DIELECTRIC	1-6 tie(2+3), 1200VDC, 1 second	1200VDC, 1 minute
URNS RATIO	(1-4):(13-9), tie(2+3, 9+10, 12+13)	10:1, ±1%
URNS RATIO	(1-4):(6-7), tie(2+3)	5:1, ±1%

* DIMENSION MAY BE EXCEEDED WITH SOLDER ONLY



Customer to tie terminals 2+3, 9+10 and 12+13 on PC board.

Application of the transformer allows for the leadwires between terminals 2&3, 9&10 and 12&13 to solder bridge.

GENERAL SPECIFICATIONS:

OPERATING TEMPERATURE RANGE: -40°C to +125°C including temp rise.

Designed to comply with the following requirements as defined by IEC61558-2-16 and EN61558-2-16:

- Reinforced insulation for a primary circuit at a working voltage of 440Vrms, 622Vpeak (operating frequency of <2MHz).

Wire insulation & RoHS status not affected by wire color.
 Wire insulation color may vary depending on availability.

DETAILS SUBJECT TO CHANGE

REV.	DATE	Packaging Specifications Method: Tray PKG-0737 www.we-online.com/midcom		Tolerances unless otherwise specified: Angles: ±1° Fractions: ±1/64 Decimals: ±.005 [.13] Footprint: ±.001 [.03]	DRAWING TITLE TRANSFORMER	PART NO. 750316318
6A	10/17	SEE REVISION SHEET FOR REVISION LEVEL	CONVENTION PLACEMENT	This drawing is dual dimensioned. Dimensions in brackets are in millimeters.	eiSos p/n: 750316318	SPECIFICATION SHEET 1 OF 1