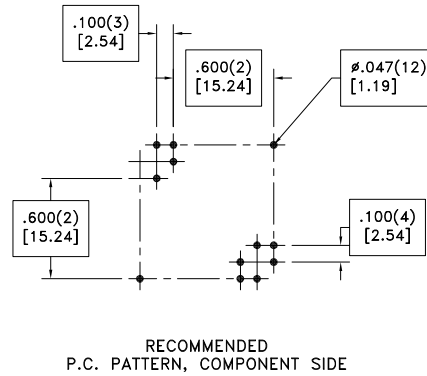
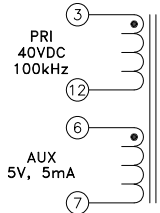
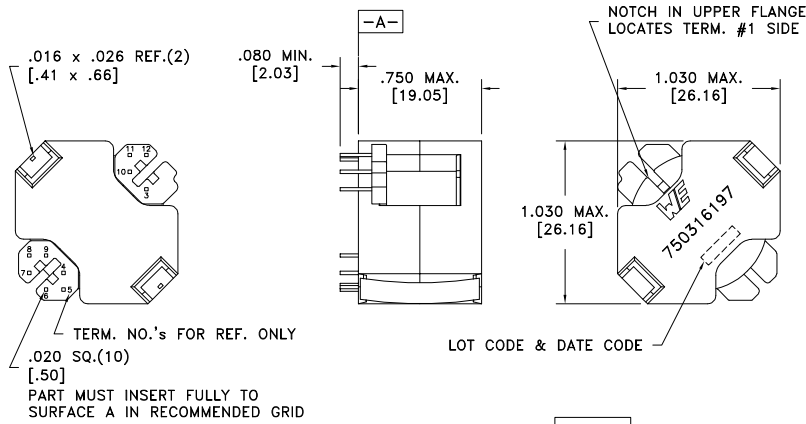


CUSTOMER TERMINAL	RoHS	LEAD(Pb)-FREE
Sn96%, Ag4%	Yes	Yes



ELECTRICAL SPECIFICATIONS @ 25°C unless otherwise noted:

PARAMETER	TEST CONDITIONS	VALUE
D.C. RESISTANCE	3-12 @20°C	0.037 ohms ±20%
D.C. RESISTANCE	6-7 @20°C	0.060 ohms ±20%
INDUCTANCE	3-12 10kHz, 100mVAC, Ls	50.0uH ±10%
SATURATION CURRENT	3-12 20% rolloff from initial	11.5A
DIELECTRIC	3-6 1500VAC, 1 second	-
⑥B TURNS RATIO	(3-12):(6-7)	8:1



GENERAL SPECIFICATIONS:

OPERATING TEMPERATURE RANGE: -40°C to +125°C including temp rise.

Functional insulation only.

Wire insulation & RoHS status not affected by wire color.
 Wire insulation color may vary depending on availability.

REV.	DATE	Packaging Specifications Method: Tray PKG-1175 www.we-online.com/midcom	⑥B	 CONVENTION PLACEMENT	Tolerances unless otherwise specified: Angles: ±1° Fractions: ±1/64 Decimals: ±.005 [.13] Footprint: ±.001 [.03]	DRAWING TITLE INDUCTOR	PART NO. 750316197
6B	4/23	SEE REVISION SHEET FOR	REVISION LEVEL	This drawing is dual dimensioned. Dimensions in brackets are in millimeters.	eiSos p/n: 750316197		SPECIFICATION SHEET 1 OF 1