

CUSTOMER TERMINAL	RoHS	LEAD(Pb)-FREE
Sn96%, Ag4%	Yes	Yes

more than you expect



ELECTRICAL SPECIFICATIONS @ 25°C unless otherwise noted:

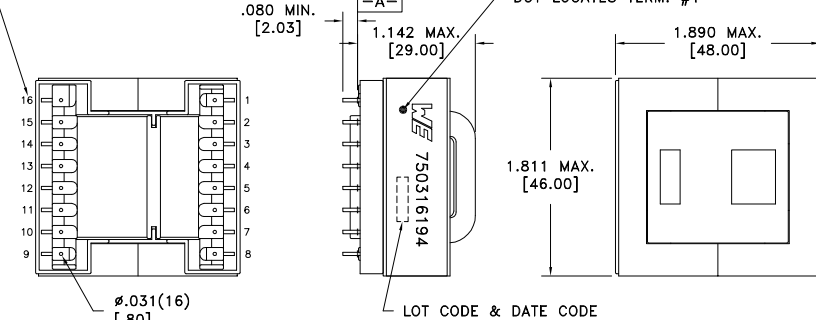
PARAMETER	TEST CONDITIONS	VALUE
D.C. RESISTANCE	12-10 @20°C	0.050 ohms ±20%
D.C. RESISTANCE	15-14 @20°C	0.125 ohms ±10%
D.C. RESISTANCE	1-5 tie(1+2, 5+6), @20°C	0.005 ohms max.
D.C. RESISTANCE	3-7 tie(3+4, 7+8), @20°C	0.005 ohms max.
INDUCTANCE	12-10 10kHz, 100mVAC, Ls	350uH ±10%
SATURATION CURRENT	12-10 20% rolloff from initial	4.6A
LEAKAGE INDUCTANCE	12-10 tie(1+2+3+4+5+6+7+8), 100kHz, 100mVAC, Ls	58.0uH ±15%
DIELECTRIC	10-8 tie(12+14, 5+6+7+8), 3750VAC, 1 second	3000VAC, 1 minute
DIELECTRIC	15-10 625VAC, 1 second	-
TURNS RATIO	(12-10):(15-14)	13:1, ±4%
TURNS RATIO	(12-10):(1-5)	8.67:1, ±2%
TURNS RATIO	(12-10):(2-6)	8.67:1, ±2%
TURNS RATIO	(12-10):(3-7)	8.67:1, ±2%
TURNS RATIO	(12-10):(4-8)	8.67:1, ±2%

GENERAL SPECIFICATIONS:

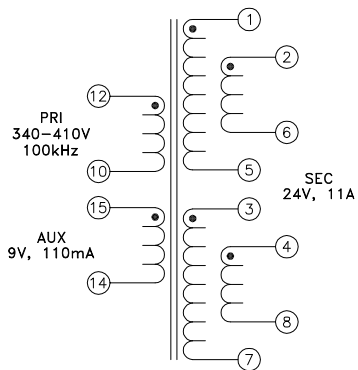
OPERATING TEMPERATURE RANGE: -40°C to +125°C including temp rise.

Designed to comply with the following requirements as defined by IEC60950-1, EN60950-1, UL60950-1/CSA60950-1 and AS/NZS60950.1:  
 - Reinforced insulation for a primary circuit at a working voltage of 265Vrms, 410Vpeak, Overvoltage Category II.

TERM. NO.'s FOR REF. ONLY

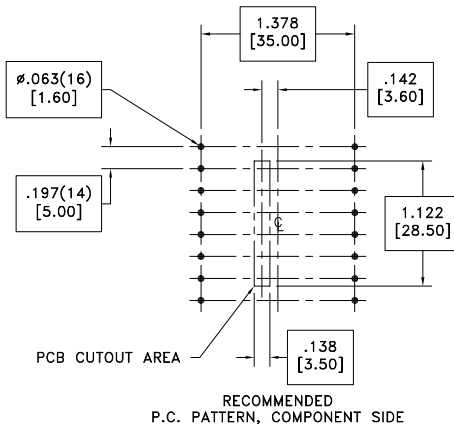


PART MUST INSERT FULLY TO SURFACE A IN RECOMMENDED GRID



Customer to tie terminals 1+2, 3+4, 5+6 and 7+8 on PC board.

Application of the transformer allows for the leadwires between terminals 1&2, 3&4, 5&6 and 7&8 to solder bridge.



Wire insulation & RoHS status not affected by wire color.  
 Wire insulation color may vary depending on availability.

REV.	DATE	Packaging Specifications Method: Tray PKG-1047 www.we-online.com/midcom		Tolerances unless otherwise specified: Angles: ±1° Fractions: ±1/64 Decimals: ±.005 [.13] Footprint: ±.001 [.03]	DRAWING TITLE <b>TRANSFORMER</b>	PART NO. <b>750316194</b>
6A	3/17	SEE REVISION SHEET FOR REVISION LEVEL		This drawing is dual dimensioned. Dimensions in brackets are in millimeters.	eiSos p/n: 750316194	SPECIFICATION SHEET 1 OF 1