

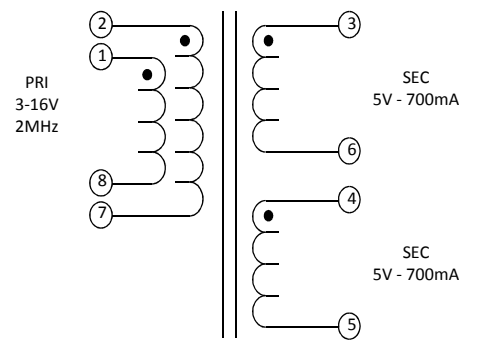
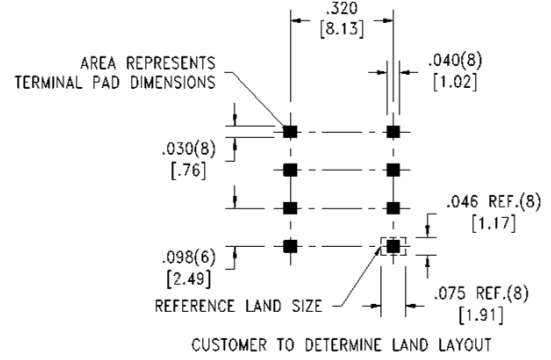
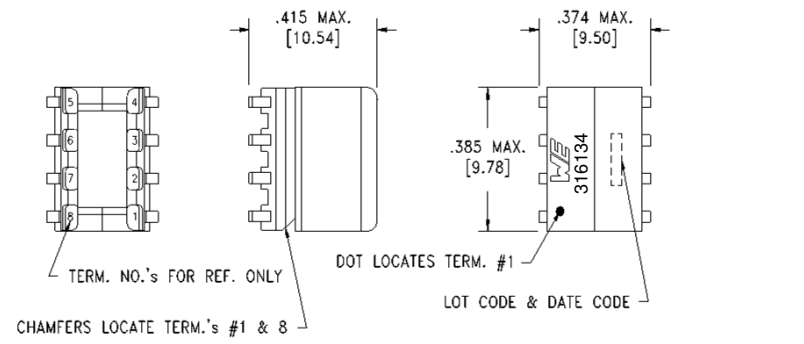
CUSTOMER TERMINAL	RoHS	LEAD(Pb)--FREE
Sn 96%, Ag 4%	Yes	Yes

more than you expect



ELECTRICAL SPECIFICATIONS @ 25° C unless otherwise noted:

PARAMETER	TEST CONDITIONS	VALUE
D.C. RESISTANCE	1-8 @20°C	0.010 ohms max.
D.C. RESISTANCE	2-7 @20°C	0.010 ohms max.
D.C. RESISTANCE	3-6 @20°C	0.015 ohms max.
D.C. RESISTANCE	4-5 @20°C	0.015 ohms max.
INDUCTANCE	1-8 tie(1+2,7+8), 100kHz, 100mV, Ls	1.20µH ±10%
SATURATION CURRENT	1-8 tie(1+2,7+8), 20% rolloff from initial	3A
DIELECTRIC	1-3 tie(7+8,5+6), 1500VAC, 1 second	1500VAC, 1 minute
TURNS RATIO	(1-8):(3-6)	1:1, ±3%
TURNS RATIO	(1-8):(4-5)	1:1, ±3%
TURNS RATIO	(1-8):(2-7)	1:1, ±3%



GENERAL SPECIFICATIONS:

OPERATING TEMPERATURE RANGE: -40°C to +125°C including temp rise.

Application of the transformer allows for the leadwires between terminals 1+2 & 7+8 to solder bridge.
Customer to tie terminals 1 & 2 and 7 & 8 on PC board.

REFERENCE DESIGN

Wire insulation & RoHS status not affected by wire color. Wire insulation color may vary depending on availability.

DFM	SP	Packaging Specifications		Tolerances unless otherwise specified:	DRAWING TITLE	PART NO.		
DATE	3/15/2016	Method: Tape & Reel		Angles: ±1°			TRANSFORMER	750316134
ENG	PLP	PKG-0410		Decimals: ±.005 [.13]				
REV.	00			Fractions: ±1/64 Footprint: ±.005 [.13]				
DATE	10/11/2016			This drawing is dual dimensioned. Dimensions in brackets are in millimeters.				
		www.we-online.com/midcom			SPECIFICATION SHEET 1 OF 1			