

CUSTOMER TERMINAL	RoHS	LEAD(Pb)-FREE
Sn96%, Ag4%	Yes	Yes

more than you expect



ELECTRICAL SPECIFICATIONS @ 25°C unless otherwise noted:

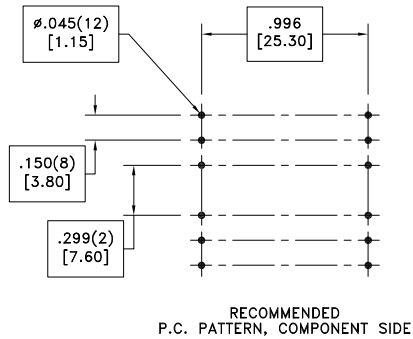
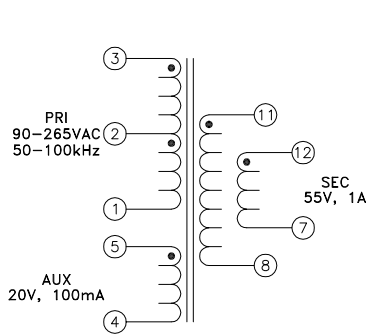
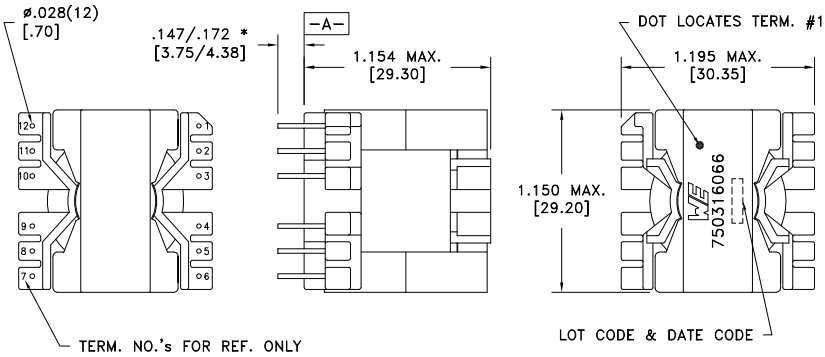
PARAMETER	TEST CONDITIONS	VALUE
D.C. RESISTANCE	3-1 @20°C	0.490 ohms ±10%
D.C. RESISTANCE	5-4 @20°C	0.092 ohms ±10%
D.C. RESISTANCE	12-7 tie(7+8, 11+12), @20°C	0.073 ohms ±10%
INDUCTANCE	3-1 10kHz, 100mVAC, Ls	795uH ±5%
SATURATION CURRENT	3-1 20% rolloff from initial	3.8A
LEAKAGE INDUCTANCE	3-1 tie(4+5, 7+8+11+12), 100kHz, 100mVAC, Ls	6.5uH typ., 10.0uH max.
DIELECTRIC	1-12 tie(3+4, 7+8, 11+12), 1875VAC, 1 second	1500VAC, 1 minute
URNS RATIO	(3-1):(12-7), tie(7+8, 11+12)	3.56:1, ±1%
URNS RATIO	(3-1):(5-4)	9.14:1, ±1%

GENERAL SPECIFICATIONS:

OPERATING TEMPERATURE RANGE: -40°C to +125°C including temp rise.

Safety Standard Undefined.

PART MUST INSERT FULLY TO SURFACE A IN RECOMMENDED GRID * DIMENSION MAY BE EXCEEDED WITH SOLDER ONLY



Customer to tie terminals 7&8 and 11&12 on PC board.

Application of the transformer allows for the leadwires between terminals 7&8 and 11&12 to solder bridge.

Wire insulation & RoHS status not affected by wire color.
Wire insulation color may vary depending on availability.

REV.	DATE	Packaging Specifications Method: Tray PKG-0807 www.we-online.com/midcom		Tolerances unless otherwise specified: Angles: ±1° Fractions: ±1/64 Decimals: ±.005 [0.13] Footprint: ±.001 [0.03]	DRAWING TITLE TRANSFORMER	PART NO. 750316066
6A	3/16	SEE REVISION SHEET FOR REVISION LEVEL		This drawing is dual dimensioned. Dimensions in brackets are in millimeters.	eiSos p/n: 750316066	SPECIFICATION SHEET 1 OF 1