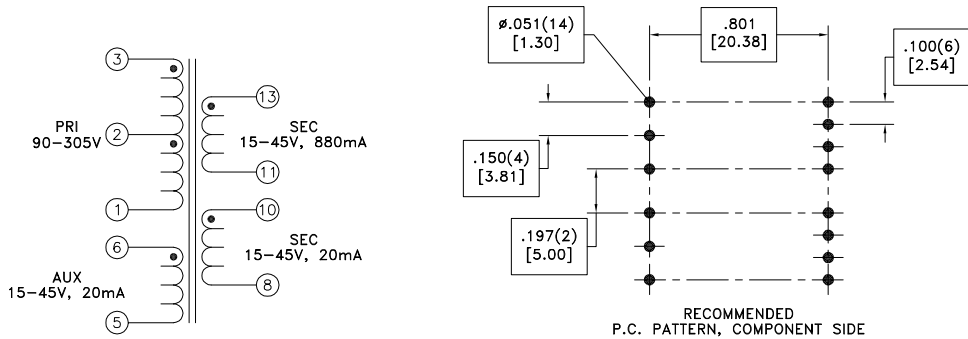
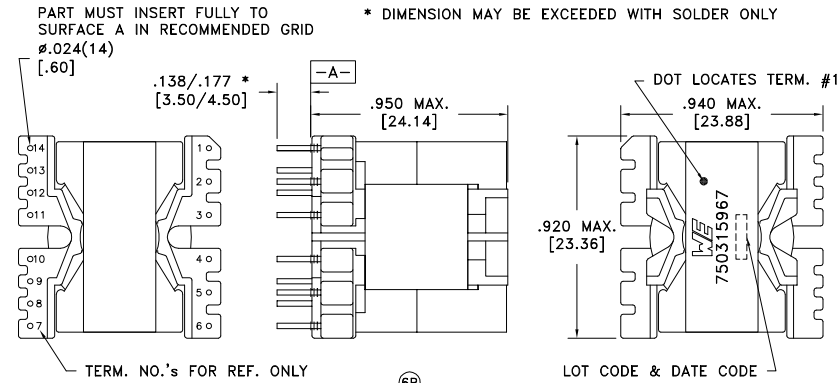


CUSTOMER TERMINAL	RoHS	LEAD(Pb)-FREE
Sn96%, Ag4%	Yes	Yes

more than you expect



ELECTRICAL SPECIFICATIONS @ 25°C unless otherwise noted:

PARAMETER	TEST CONDITIONS	VALUE
D.C. RESISTANCE	3-1 @20°C	0.410 ohms ±10%
D.C. RESISTANCE	6-5 @20°C	0.240 ohms ±10%
D.C. RESISTANCE	13-11 @20°C	0.033 ohms ±10%
D.C. RESISTANCE	10-8 @20°C	0.150 ohms ±10%
INDUCTANCE	3-1 10kHz, 100mVAC, Ls	540uH ±10%
SATURATION CURRENT	3-1 20% rolloff from initial	2.4A
LEAKAGE INDUCTANCE	3-1 tie(5+6, 8+10, 11+13), 100kHz, 100mVAC, Ls	5.0uH typ., 10.0uH max.
DIELECTRIC	1-13 tie(3+5, 10+11), 2020VAC, 1 second	1616VAC, 1 minute
DIELECTRIC	1-6 tie(6+8, 1+13), 1090VAC, 1 second	-
DIELECTRIC	1-Core 1200VAC, 1 second	-
TURNS RATIO	(3-2):(2-1)	1:1, ±1%
TURNS RATIO	(3-1):(6-5)	3.86:1, ±1%
TURNS RATIO	(3-1):(13-11)	3.86:1, ±1%
TURNS RATIO	(3-1):(10-8)	3.86:1, ±1%

GENERAL SPECIFICATIONS:

OPERATING TEMPERATURE RANGE: -40°C to +125°C including temp rise.

Designed to comply with the following requirements as defined by UL 1310 and UL 8750 Class 2:

- Reinforced insulation for a primary circuit at a working voltage of 305VDC.

Wire insulation & RoHS status not affected by wire color.
 Wire insulation color may vary depending on availability.

REV.	DATE	Packaging Specifications Method: Tray PKG-0239 www.we-online.com/midcom		Tolerances unless otherwise specified: Angles: ±1° Fractions: ±1/64 Decimals: ±.005 [.13] Footprint: ±.001 [.03]	DRAWING TITLE TRANSFORMER	PART NO. 750315967
6B	7/16	SEE REVISION SHEET FOR REVISION LEVEL		This drawing is dual dimensioned. Dimensions in brackets are in millimeters.	eiSos p/n: 750315967	
6A	5/16					SPECIFICATION SHEET 1 OF 1