

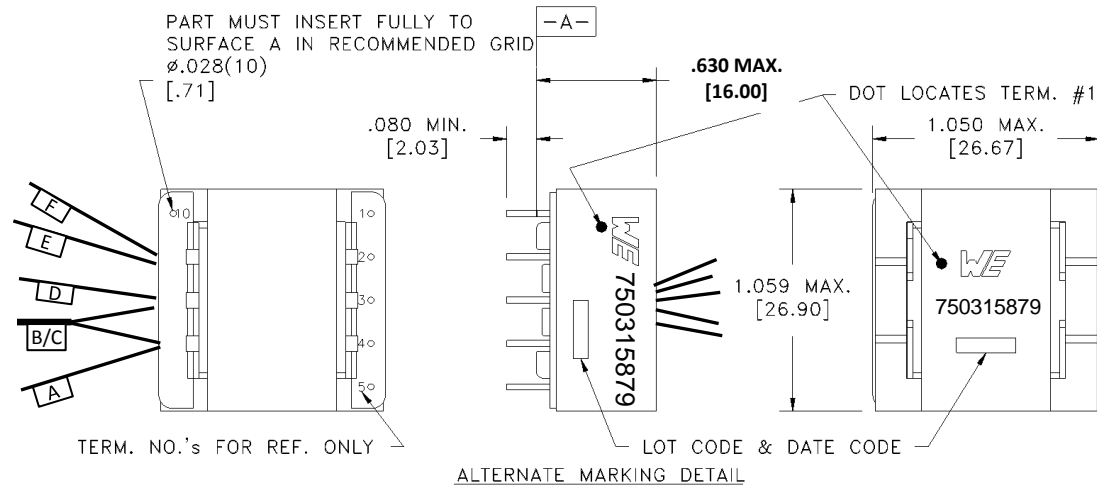
CUSTOMER TERMINAL	RoHS	LEAD(Pb)--FREE
Sn 96%, Ag 4%	Yes	Yes

more than you expect

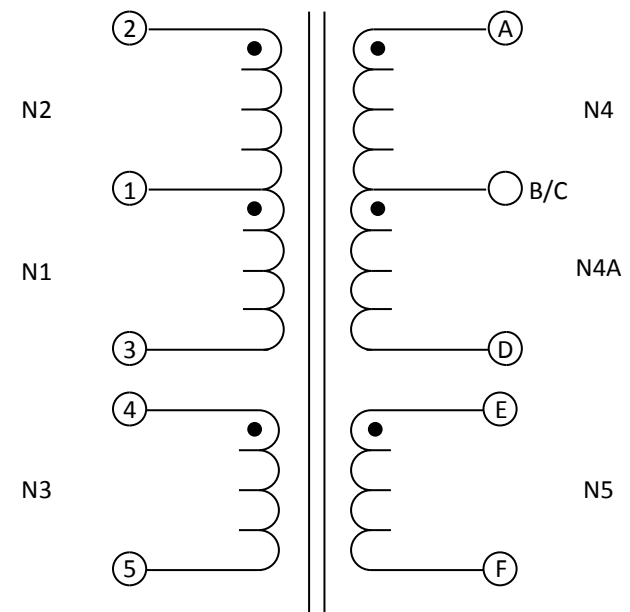
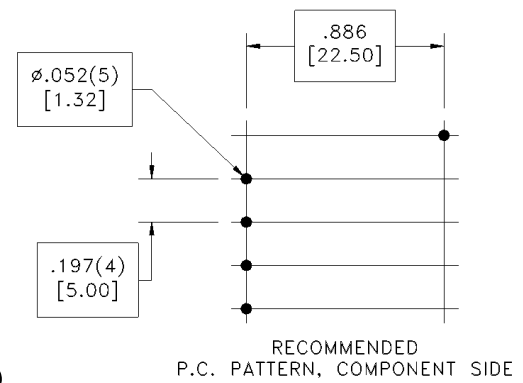


**ELECTRICAL SPECIFICATIONS @ 25° C unless otherwise noted:**

PARAMETER	TEST CONDITIONS	VALUE
D.C. RESISTANCE	2-3 @20°C	0.920 ohms ±10%
D.C. RESISTANCE	4-5 @20°C	0.265 ohms ±10%
D.C. RESISTANCE	A-D @20°C	0.465 ohms ±10%
D.C. RESISTANCE	E-F @20°C	0.290 ohms ±10%
INDUCTANCE	2-3 10kHz, 100mV, Ls	1.80mH ±10%
SATURATION CURRENT	2-3 20% rolloff from initial	1A
LEAKAGE INDUCTANCE	2-3 tie(4+5, A+D+E+F), 100kHz, 100mV, Ls	7.5µH typ., 15.0µH max.
DIELECTRIC	1-A tie(3+4, C+E), 3750VAC, 1 second	3000VAC, 1 minute
DIELECTRIC	A-Core tie(D+E), 3750VAC, 1 second	3000VAC, 1 minute
DIELECTRIC	1-5 625VAC, 1 second	
DIELECTRIC	A-F 625VAC, 1 second	
URNS RATIO	(2-1):(1-3)	1:1, ±1%
URNS RATIO	(2-3):(A-B/C)	4:1, ±1%
URNS RATIO	(2-3):(B/C-D)	4:1, ±1%
URNS RATIO	(2-3):(E-F)	10.67:1, ±1%
URNS RATIO	(2-3):(4-5)	10.67:1, ±1%



Update views at release to show x2 insulation tapes on the outside of the transformer.  
JLV 10/21/15



**GENERAL SPECIFICATIONS:**

OPERATING TEMPERATURE RANGE: -40°C to +125°C including temp rise.

Safety standard undefined

Wire insulation & RoHS status not affected by wire color. Wire insulation color may vary depending on availability.

DFM	SP	Packaging Specifications Method: Tray PKG-0332		Tolerances unless otherwise specified: Angles: ±1°    Decimals: ±.005 [.13] Fractions: ±1/64    Footprint: ±.001 [.03]	DRAWING TITLE <b>TRANSFORMER</b>	PART NO. <b>750315879</b>
DATE	10/21/2015					
ENG	JLV			This drawing is dual dimensioned. Dimensions in brackets are in millimeters.		
REV.	04					
DATE	3/23/2016	www.we-online.com/midcom				SPECIFICATION SHEET 1 OF 1